



# VERANDA

PART OF OUR  
OUTDOOR LIVING RANGE  
COLLECTION

TECHNICAL GUIDE

# VERANDAH SYSTEM INFORMATION.

This guide provides a technical overview of the Verandah system and components. Any areas or details not covered in this guide can be discussed with our technical support team on 01642 309600.

## Designs

Lean-to  
Hipped  
Valley

## Roof Pitch

5°	Minimum
7.5°	Standard
30°	Maximum

## Maximum sizes (Projection)

Upto 4.0m  
Over 4.0m (Technical Enquiry)

## Height to Eaves (ground level)

2.1m	Standard
2.8m	Round Post (Maximum)
3.0m	Square Post (Maximum)

## Post Centres

1.020m Minimum Post Centres

3.0m	Round Post- Maximum
3.0m	Square Post - Maximum (Up to 4.0m projection)

0.515m Minimum Cantilever from Post Centre  
1.050m Maximum Cantilever from Post Centre

## Bar Over Hang

66mm with Gutter (PVCu)  
250mm without Gutter

## Colour Options

Crackle Black	<b>Standard</b>
White (RAL9003)	
Grey (RAL7016)	
Other colours on application	

## Glazing Options (24mm Double Glazed)

Neutral	<b>Standard</b>
Blue	
Aqua	

**Maximum Glass Unit Length 3.210mm**

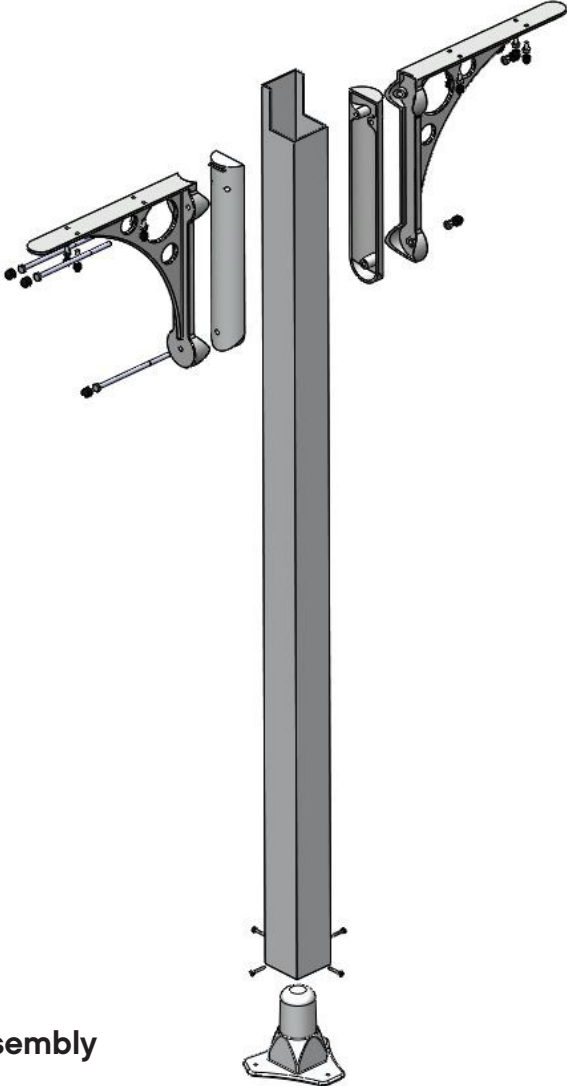
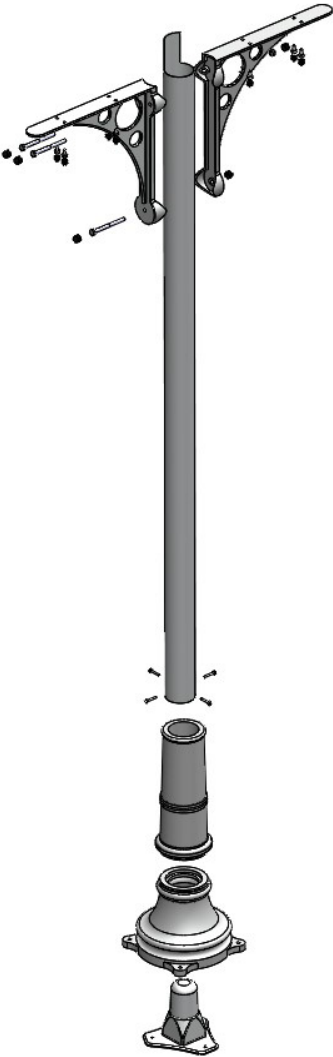
**Maximum Glass Unit Handling 2.9m<sup>2</sup>**

# SUPPORT FOR ASSEMBLY DETAILS.

**Round Support Post Assembly**  
Post, Base Plate & Gallows

**Optional**  
(+) Decorative Foot & Collar

**Square Support Post Assembly**  
Post, Base Plate & Gallows



**Wall Gallows Assembly**

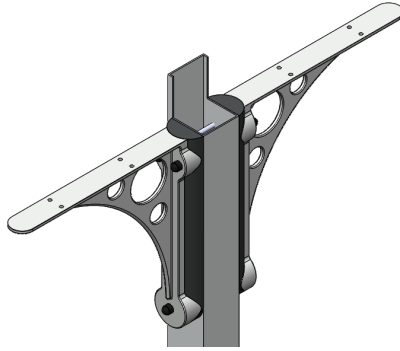


# SUPPORT POST & BRACKET OPTIONS.

Round Support Post Assembly



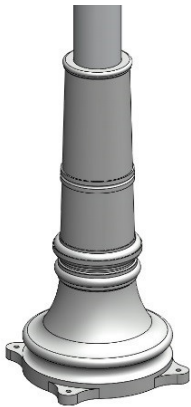
Square Support Post Assembly



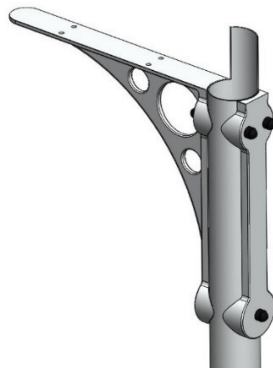
Wall Gallows Assembly



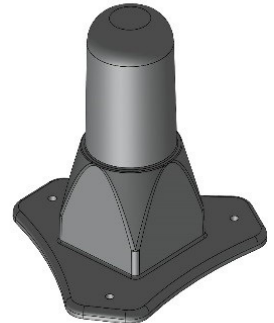
Decorative Foot & Collar



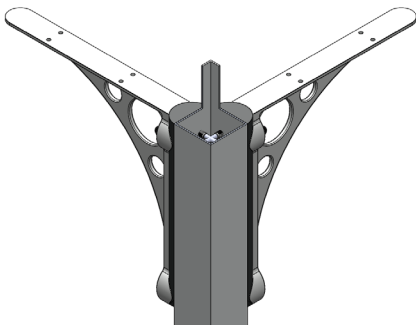
Round Support Post Assembly (Single Gallows)



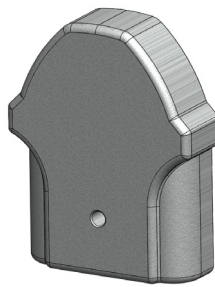
Base Fixing Plate



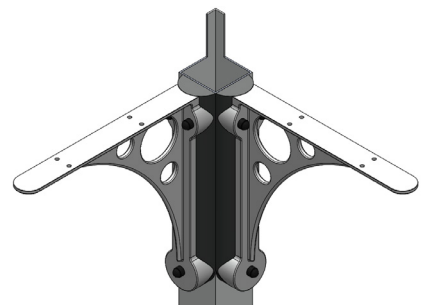
90° External Corner Assembly



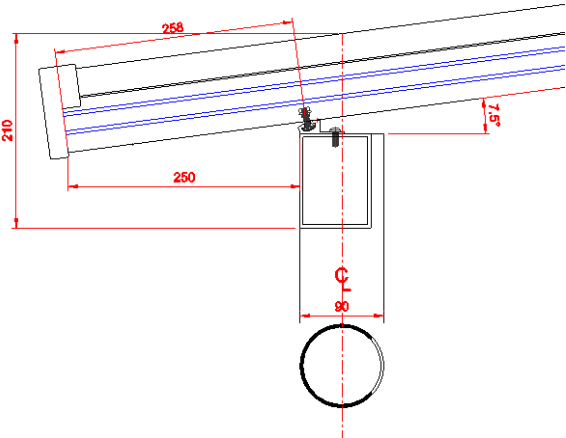
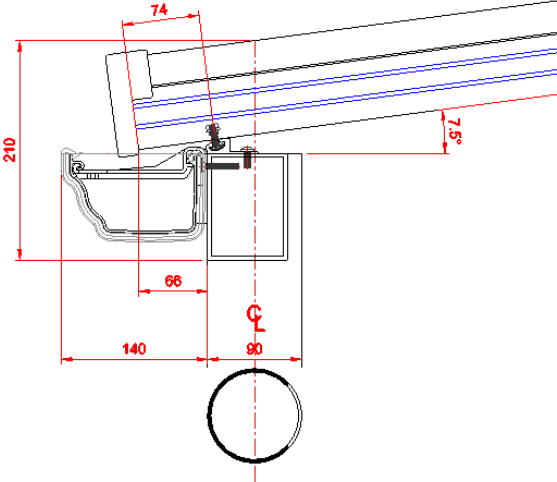
Verandah Bar End Cap



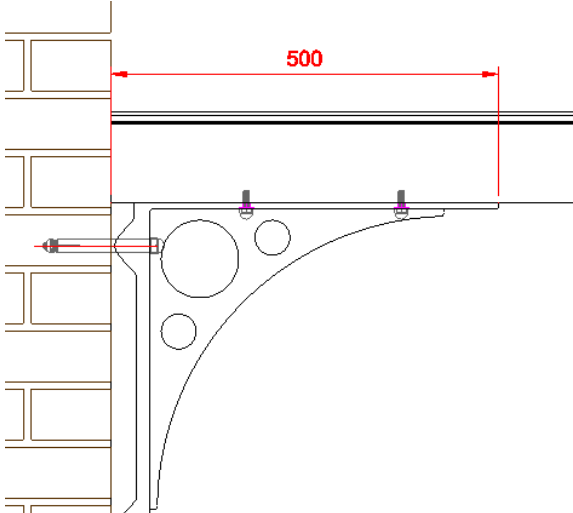
90° Internal Corner Assembly



# BAR OVERHANG OPTIONS.

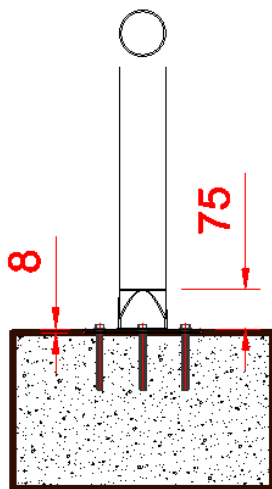


## Wall Gallows Assembly

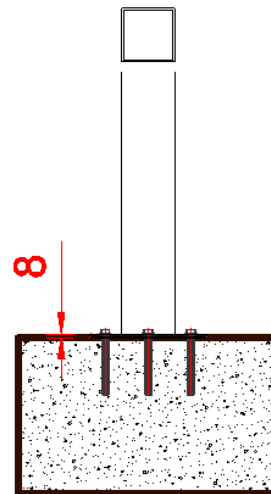


# SUPPORT LEG OPTIONS.

Round Support Leg

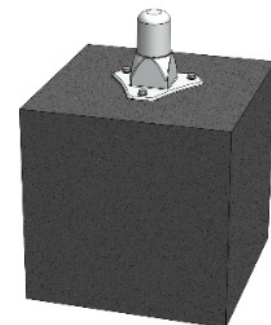
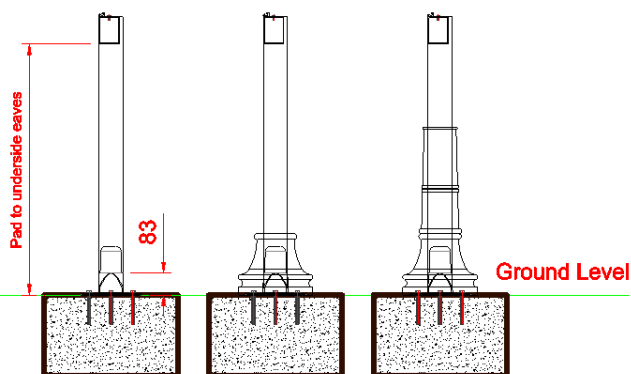


Square Support Leg

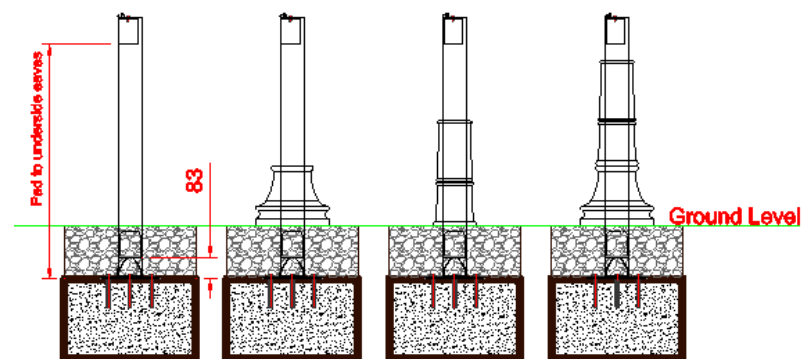


8mm = Underside to Top side of Base Plate (underside of Square Post)  
 75mm = Top of Base Plate to underside of Round Post

## Design Limitations (Base Plates, Decorative Foot & Collars)

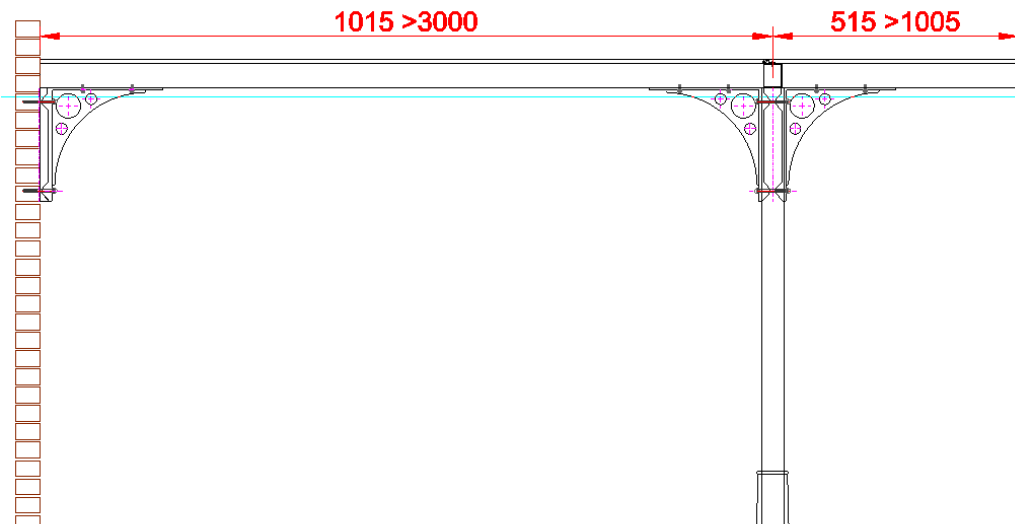
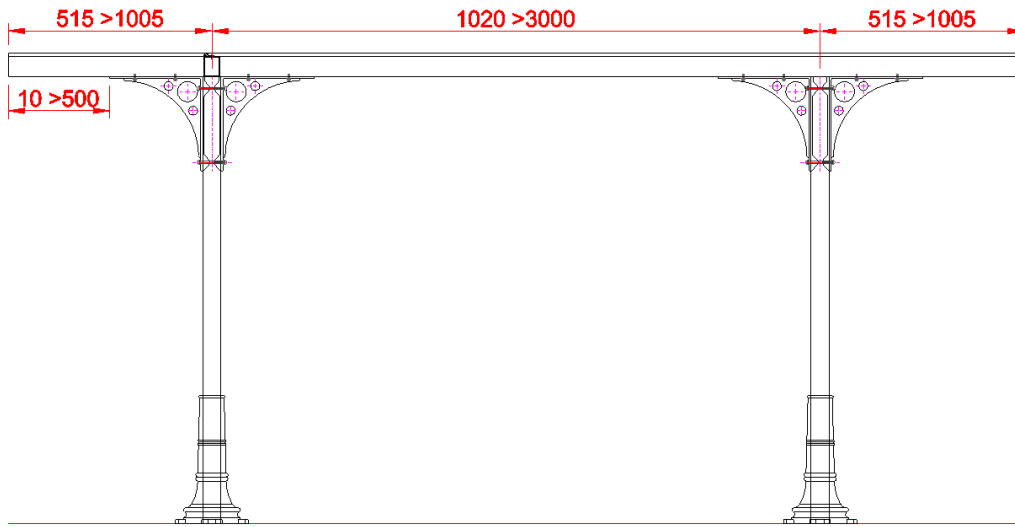


Typical concrete pad with Base Fixing Plate

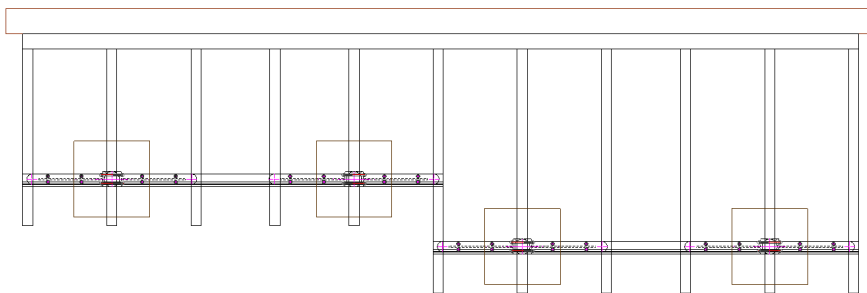
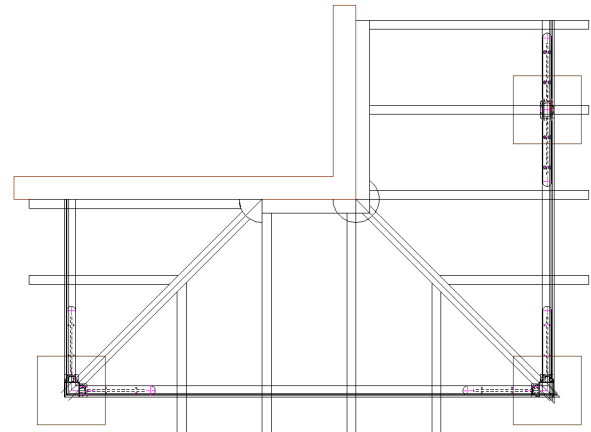
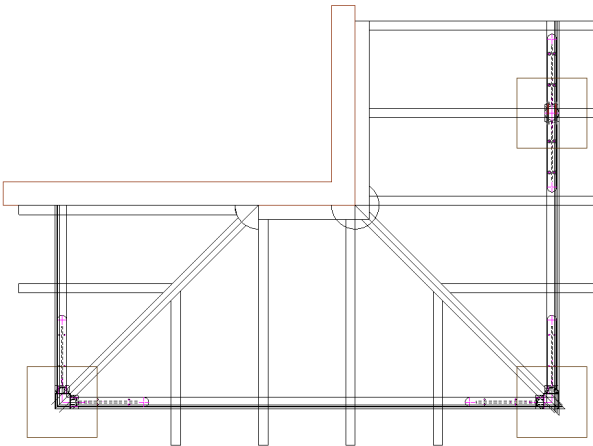
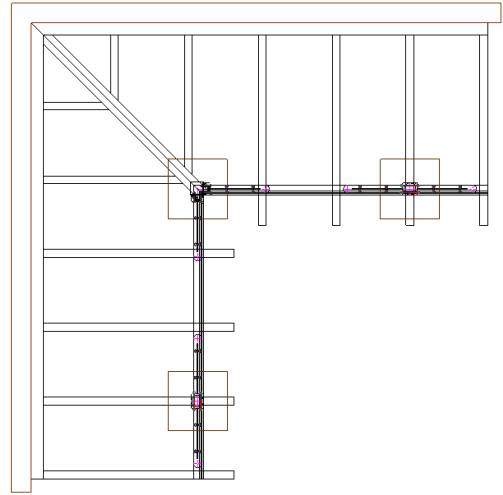
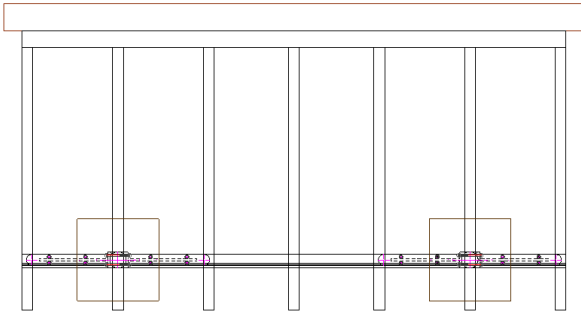


Please note that the square support post is not available with the decorative foot or collar.  
 Recommended concrete pad 500mm cube, please consult with a structural engineer for specific requirements.

# DESIGN LIMITATIONS.

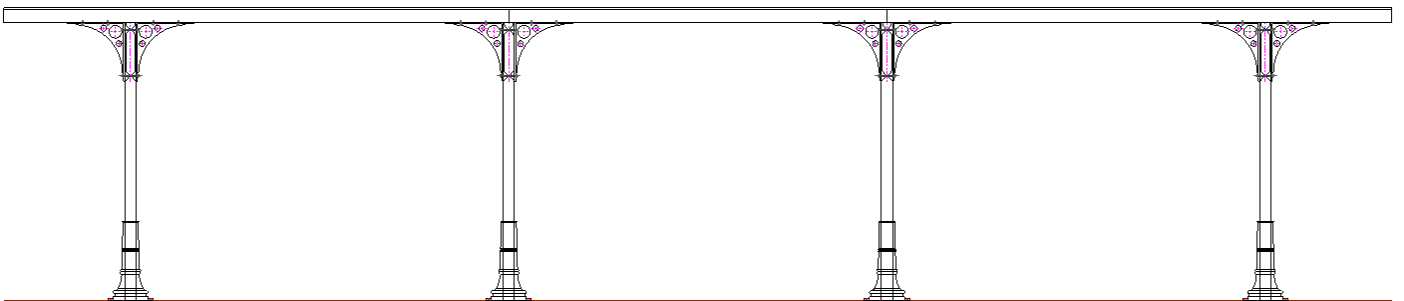
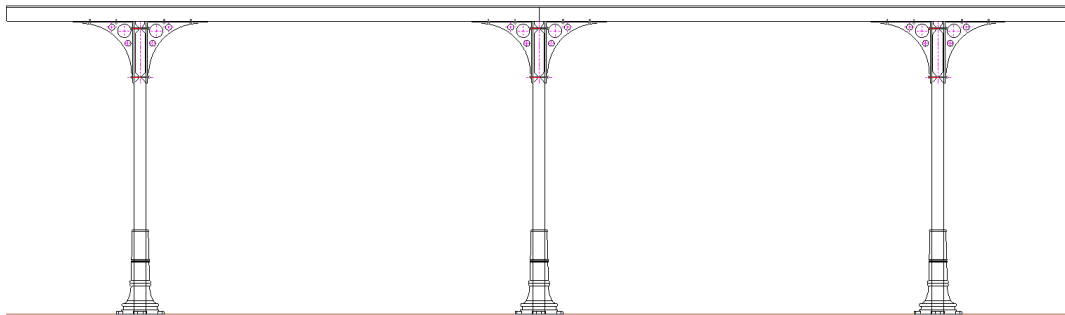
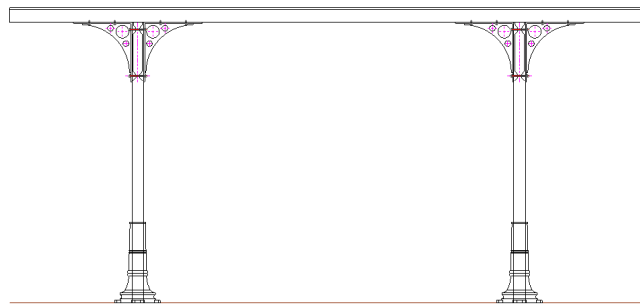
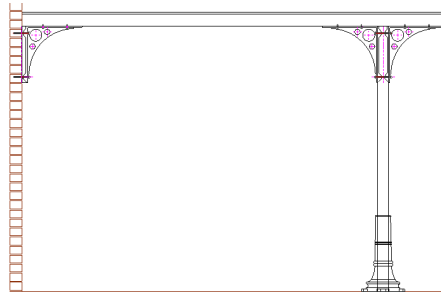


# TYPICAL ROOF DESIGN EXAMPLES.

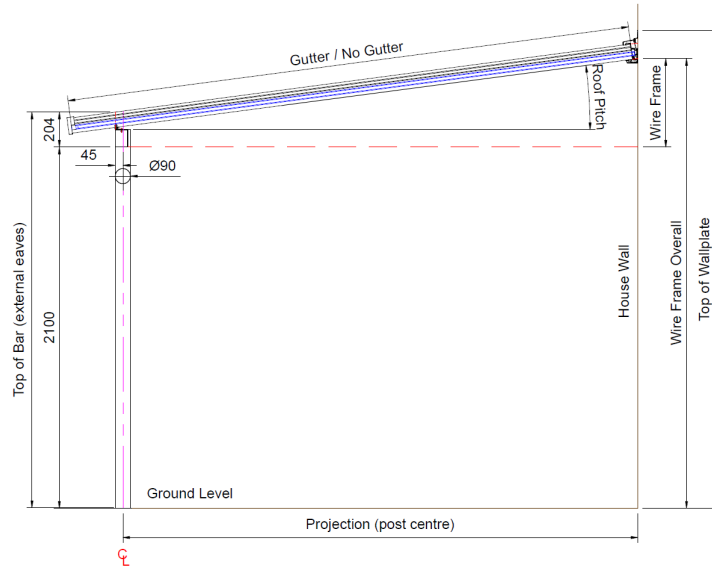




# TYPICAL SUPPORT POST LAYOUT.



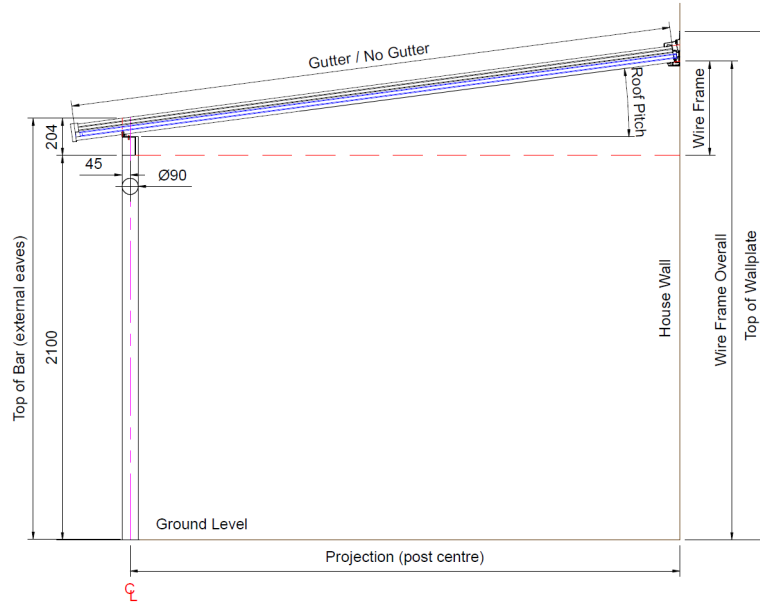
# TYPICAL ROOF DESIGN EXAMPLES.



Roof Pitch 5°						
Projection	Top of Bar	Gutter	No Gutter	Wire Frame	Wire Overall	Top of Wallplate
1000	2304	1081	1266	206	2281	2474
1250	2304	1332	1517	228	2303	2496
1500	2304	1583	1767	250	2325	2518
1750	2304	1834	2018	272	2347	2540
2000	2304	2085	2269	294	2369	2562
2250	2304	2336	2520	316	2391	2584
2500	2304	2587	2771	338	2413	2606
2750	2304	2838	3022	360	2435	2628
3000	2304	3088	3273	381	2456	2649
3250	2304	3339	3524	403	2478	2671
3500	2304	3590	3775	425	2500	2693
3750	2304	3841	4026	447	2522	2715
4000	2304	4092	4277	469	2544	2737

Roof Pitch 7.5°						
Projection	Top of Bar	Gutter	No Gutter	Wire Frame	Wire Overall	Top of Wallplate
1000	2304	1088	1273	252	2323	2516
1250	2304	1340	1526	285	2356	2549
1500	2304	1592	1778	318	2389	2582
1750	2304	1844	2030	351	2422	2615
2000	2304	2097	2282	384	2455	2648
2250	2304	2349	2534	416	2488	2681
2500	2304	2601	2786	449	2521	2714
2750	2304	2853	3039	482	2554	2747
3000	2304	3105	3291	515	2587	2780
3250	2304	3357	3543	548	2620	2813
3500	2304	3609	3795	581	2652	2845
3750	2304	3862	4047	614	2685	2878
4000	2304	4114	4299	647	2718	2911

Roof Pitch 10°						
Projection	Top of Bar	Gutter	No Gutter	Wire Frame	Wire Overall	Top of Wallplate
1000	2304	1097	1284	298	2366	2559
1250	2304	1351	1538	342	2410	2603
1500	2304	1605	1792	386	2454	2647
1750	2304	1859	2046	430	2498	2691
2000	2304	2113	2299	474	2542	2735
2250	2304	2366	2553	518	2586	2779
2500	2304	2620	2807	562	2630	2823
2750	2304	2874	3061	606	2674	2867
3000	2304	3128	3315	651	2719	2912
3250	2304	3382	3569	695	2763	2956
3500	2304	3636	3823	739	2807	3000
3750	2304	3890	4076	783	2851	3044
4000	2304	4143	4330	827	2895	3088



Roof Pitch 15°						
Projection	Top of Bar	Gutter	No Gutter	Wire Frame	Wire Overall	Top of Wallplate
1000	2305	1122	1313	392	2457	2653
1250	2305	1381	1571	459	2524	2720
1500	2305	1640	1830	526	2591	2787
1750	2305	1899	2089	593	2658	2854
2000	2305	2157	2348	660	2725	2921
2250	2305	2416	2607	727	2792	2988
2500	2305	2675	2865	794	2859	3055
2750	2305	2934	3124	861	2926	3122
3000	2305	3193	3383	928	2993	3189
3250	2305	3451	3642	995	3060	3256
3500	2305	3710	3901	1062	3127	3323
3750	2305	3969	4160	1129	3194	3390
4000	2305	4228	4418	1196	3261	3457

Roof Pitch 20°						
Projection	Top of Bar	Gutter	No Gutter	Wire Frame	Wire Overall	Top of Wallplate
1000	2306	1151	1347	492	2551	2753
1250	2306	1417	1613	583	2642	2844
1500	2306	1683	1879	647	2733	2935
1750	2306	1949	2145	765	2824	3026
2000	2306	2215	2411	856	2915	3117
2250	2306	2481	2677	947	3006	3208
2500	2306	2747	2943	1038	3097	3299
2750	2306	3013	3209	1129	3188	3390
3000	2306	3279	3475	1220	3279	3481
3250	2306	3545	3741	1311	3370	3572
3500	2306	3811	4007	1402	3461	3663
3750	2306	4077	4273	1493	3552	3754
4000	2306	4343	4539	1584	3643	3845

Roof Pitch 25°						
Projection	Top of Bar	Gutter	No Gutter	Wire Frame	Wire Overall	Top of Wallplate
1000	2309	1192	1395	598	2651	2859
1250	2309	1467	1670	715	2768	2976
1500	2309	1743	1946	831	2884	3092
1750	2309	2019	2222	948	3001	3209
2000	2309	2295	2498	1064	3117	3325
2250	2309	2571	2774	1181	3234	3442
2500	2309	2847	3050	1298	3351	3559
2750	2309	3123	3326	1414	3467	3675
3000	2309	3398	3601	1531	3584	3792
3250	2309	3674	3877	1647	3700	3908
3500	2309	3950	4153	1764	3817	4025
3750	2309	4226	4429	1880	3933	4141
4000	2309	4502	4705	1997	4050	4258

Roof Pitch 30°						
Projection	Top of Bar	Gutter	No Gutter	Wire Frame	Wire Overall	Top of Wallplate
1000	2313	1245	1458	714	2760	2975
1250	2313	1534	1746	858	2904	3119
1500	2313	1823	2035	1002	3048	3263
1750	2313	2111	2324	1147	3193	3408
2000	2313	2400	2612	1291	3337	3552
2250	2313	2689	2901	1435	3481	3696
2500	2313	2977	3190	1580	3626	3841
2750	2313	3266	3478	1724	3770	3985
3000	2313	3555	3767	1868	3914	4129
3250	2313	3843	4056	2013	4059	4274
3500	2313	4132	4344	2157	4203	4418
3750	2313	4421	4633	2301	4347	4562



**GFD Homes**

Teesview, Sabatier Close,  
Stockton-on-Tees | TS17 6EW

T: 01642 309 576

**W:** [www.gfdhomes.co.uk](http://www.gfdhomes.co.uk)

**E:** [enquiries@gfdhomes.co.uk](mailto:enquiries@gfdhomes.co.uk)

 **GFD Homes**

 **@gfdhomes**