



CP 130 SLIDING DOOR

INSTALLATION GUIDE

R

REYNAERS
aluminium

Edition 15/21

 **gfdhomes**
the home improvement group

INDEX

1. IMPORTANT NOTES	4
1.1. Lift & slide door overview.....	5
1.2. Details	6
2. FITTING	8
2.1. Fitting in the structural work.....	9
2.2. Fitting accessories.....	10
2.3. Fitting distance pieces	12
Lift and slide doors.....	12
Slide doors.....	12
2.4. Fitting the panels.....	13
2.5. Fitting the buffers.....	14
3. GLAZING	16
3.1. Before fitting the glass panels.....	17
Decompression & drainage.....	18
3.2 Fitting glass panels.....	20
4. ADDITIONAL INFORMATION	22
4.1. Connection with other systems.....	23
4.2. Glazing table	26



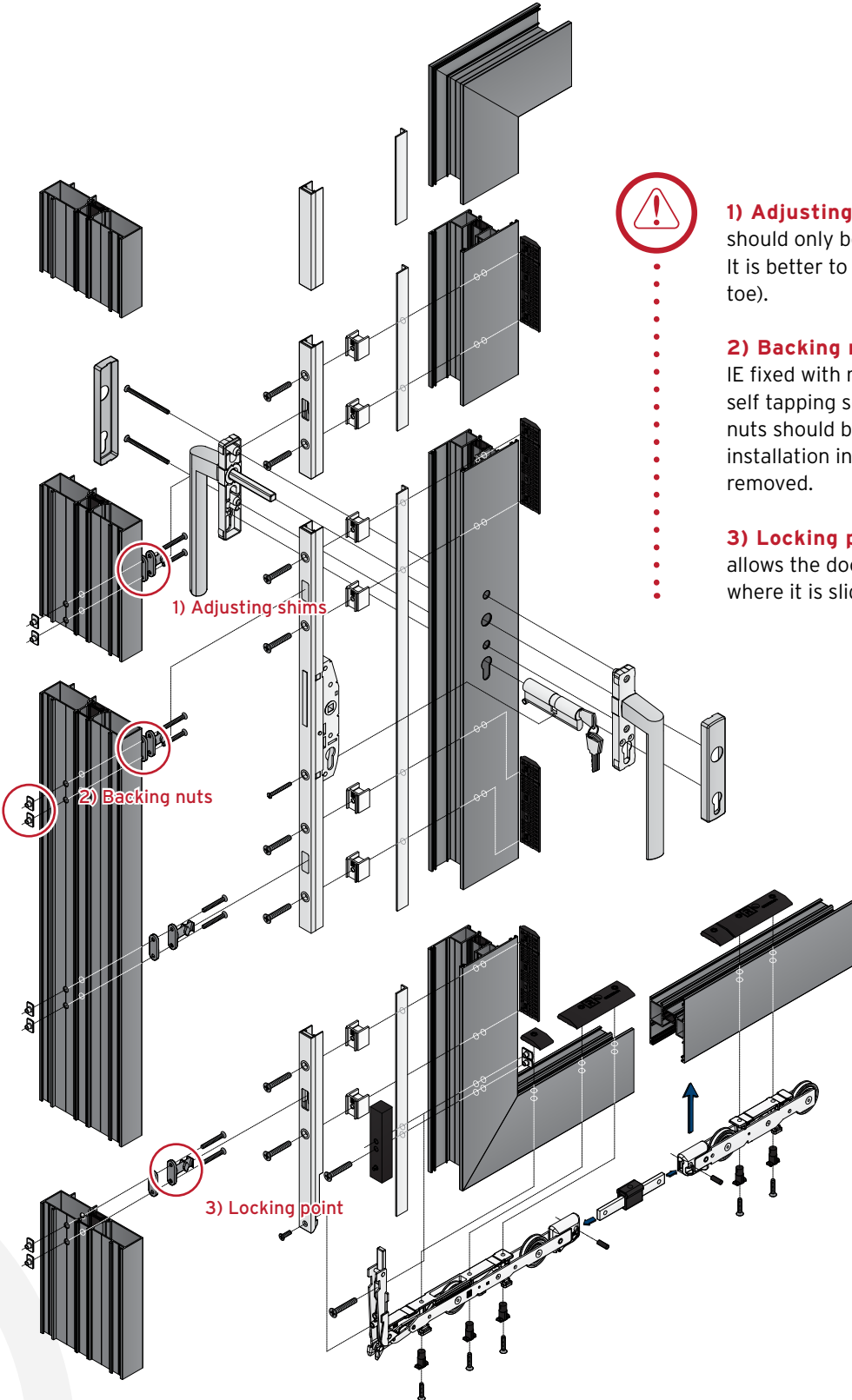
Please read through the entire guide before beginning installation.

- 1.** It is extremely important that work on the Reynaers systems is performed by the supplier of the systems (or a Reynaers approved installer). In this way the system guarantee remains preserved.
- 2.** Hardware parts of the Reynaers system should only be replaced by the original parts provided by the Reynaers dealer.
- 3.** The information in this guide is intended to assist in the installation of the Reynaers systems and needs to be used in conjunction with the specific fabrication drawings for your project.
- 4.** In case this guide does not provide an answer to all your questions, please contact your local Reynaers professional. They can give you detailed advice on the installation of the Reynaers sliding door system(s).

1. IMPORTANT NOTES



1.1. LIFT & SLIDE DOOR OVERVIEW



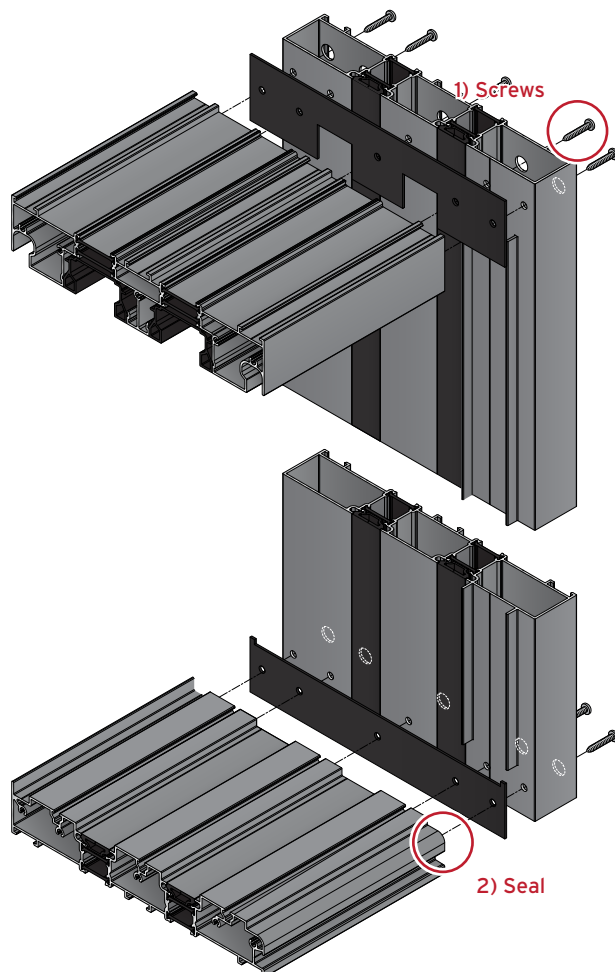
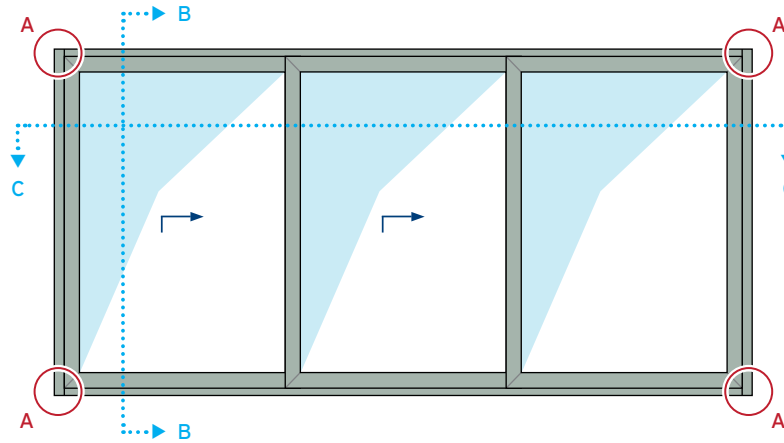
1) Adjusting shims: Adjusting shims should only be removed as a last resort. It is better to rack the glass (heel and toe).

2) Backing nuts: If this keep is fitted IE fixed with machine screws rather than self tapping screws, then the backing nuts should be bonded to frame prior to installation in case the screws need to be removed.

3) Locking point: This locking point allows the door to be locked in a position where it is slightly open.

1.2. DETAILS

Before starting the install, please make sure to look through the following pages. They contain information that might be vital to the success of your installation.



A: AFTER TRANSPORT

What is important after receiving the transport of materials is to go through it and make sure that everything ordered is delivered. There is always a risk that some things are overlooked, missing or damaged after transport.



1) Screws: Please check that all screws are tight (M5 allen key) top and bottom.

2) Seal: Make sure to check that seal is not damaged during transport. Reynaers suggests that bottom butt joint is resealed with silicone.

B-B: HORIZONTAL SECTION



1) Seal blocks: It is advisable to remove these seal blocks if doors are being removed from the frames for of installation.

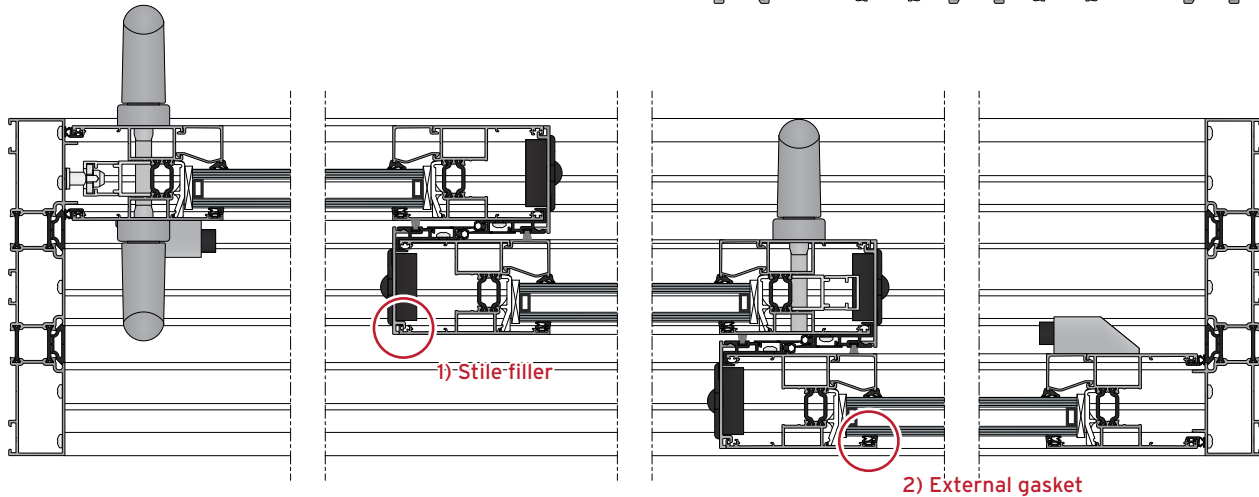
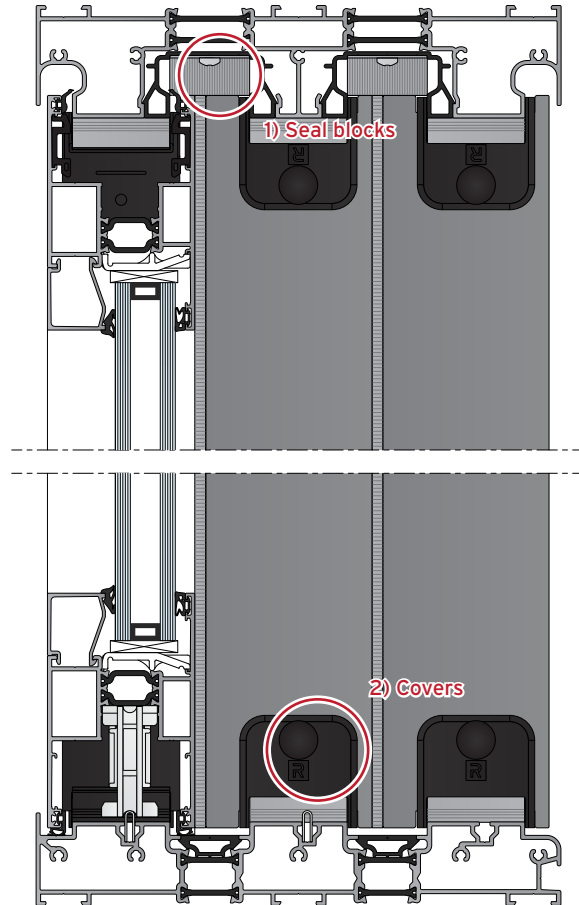
2) Covers: These will need to be removed in order to remove door leaves. The top and bottom components differ in size. See separate note on door removal.

C-C: VERTICAL SECTION



1) Stile Filler: The stile filler can be removed at this location.

2) External gasket: External gasket should be cut oversized by $\frac{1}{4}$ " per foot, mitered at ends and bonded in corners.



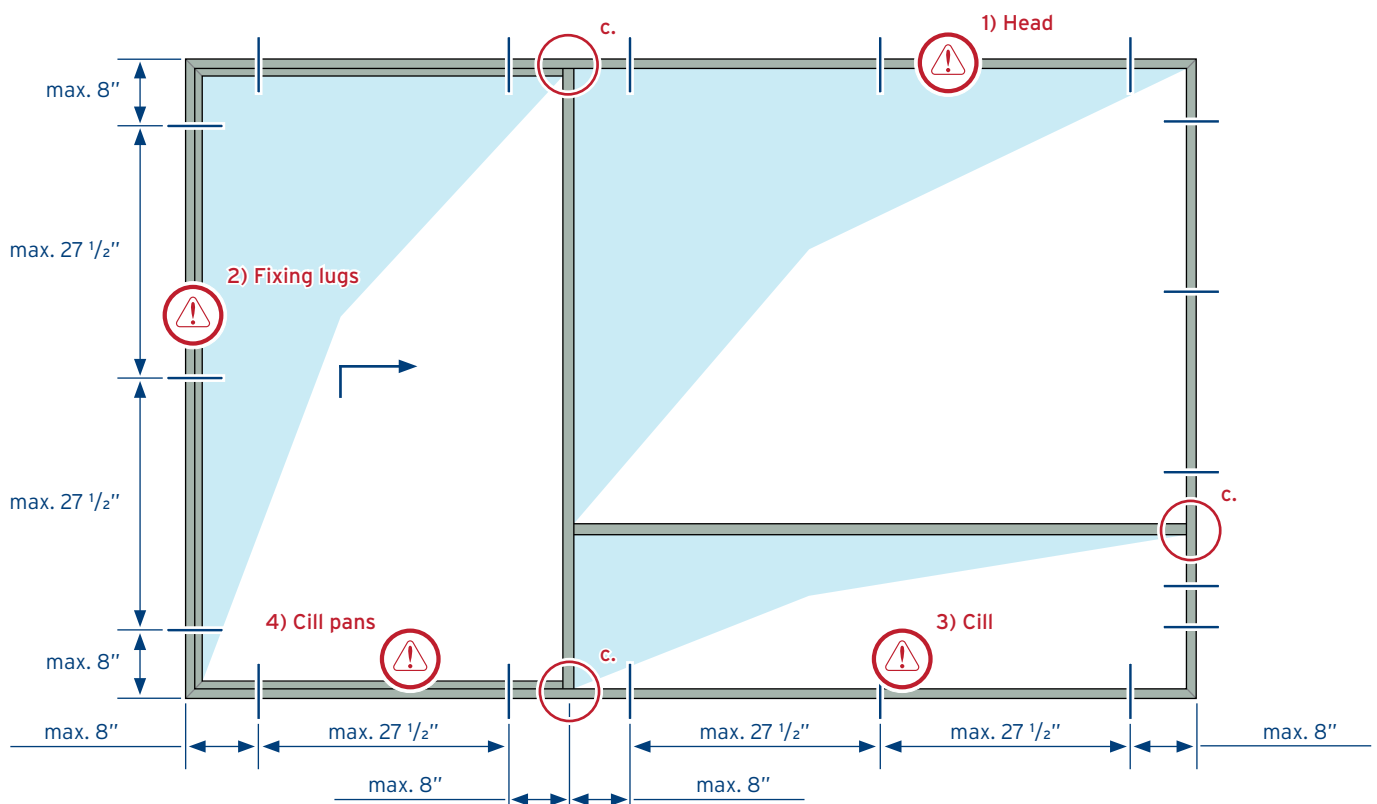
2. FITTING



2.1. FITTING IN THE STRUCTURAL WORK

Attachment to the building is either by direct fixing through the profile, e.g. screws and plugs, or by using fixing lugs. When using screws and plugs ensure that the minimum edge distances¹ are in accordance with the processing guidelines of the sub structure manufacturer/supplier/installer. The anchorage should in no way affect the carrying capacity of the adjacent building components.

- a. Anchorages shall be of aluminum or stainless steel, corrosion resistant, so that the aluminum profiles are not subjected to bi-metallic corrosion.
- b. When installing sliding elements, fixings are required on all sides with a max distance from each corner of 8" and max distance between fixings of 27 1/2".



- c. Where transom/mullions and outer frame profiles meet, the fixing must be applied maximum 8" from both sides of the transom/mullion. In this way, expansion and shrinkage of the transom/mullion (because of fluctuations in temperature) are possible without any damage.
- d. We recommend to position fixings at the height of each locking point.
- e. When screws and plugs are used directly through the profiles, the chambers in the bottom outer frame may not be pierced, so as to avoid water infiltration in this region.



1) Head: Is there a likelihood of the head dropping? Do not pack the head solid. Head should be pinned both inside and outside to avoid putting the frame in a twist.

2) Fixing lugs: Use fixing lugs both inside and outside and pack solid. It is possible to direct fix where door meets jamb by counter boring and fitting gromets to mask holes. Frame must be plumb and square.

3) Cill: Cill must be level, packed (shimmed) every foot full width of frame. Use lugs to restrain sill of frame. After frame is fully fixed and glazed and doors are working spaces between shims should be grouted in with a non shrink grout.

4) Cill pans: If cill pans are used adequate care must be taken to prevent the ingress of water through the cill pan by fixings.



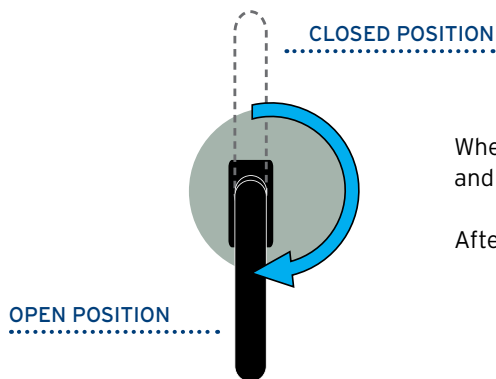
NOTE: The anchoring should be applied in such a way that possible expansion / shrinkage of the sliding element is not obstructed.

2.2. FITTING ACCESSORIES



The choice of the fixing points, number of locking points, max. weight of the sliding panel, max. sizes of the sliding panel, panel profile used etc. depends on the instructions of the system supplier and the accessory producer.

Sliding and moving parts should be provided with neutral grease.



When fitting, please check whether all accessories can be operated easily and without restriction.

After installation is complete, make sure all accessories function properly.

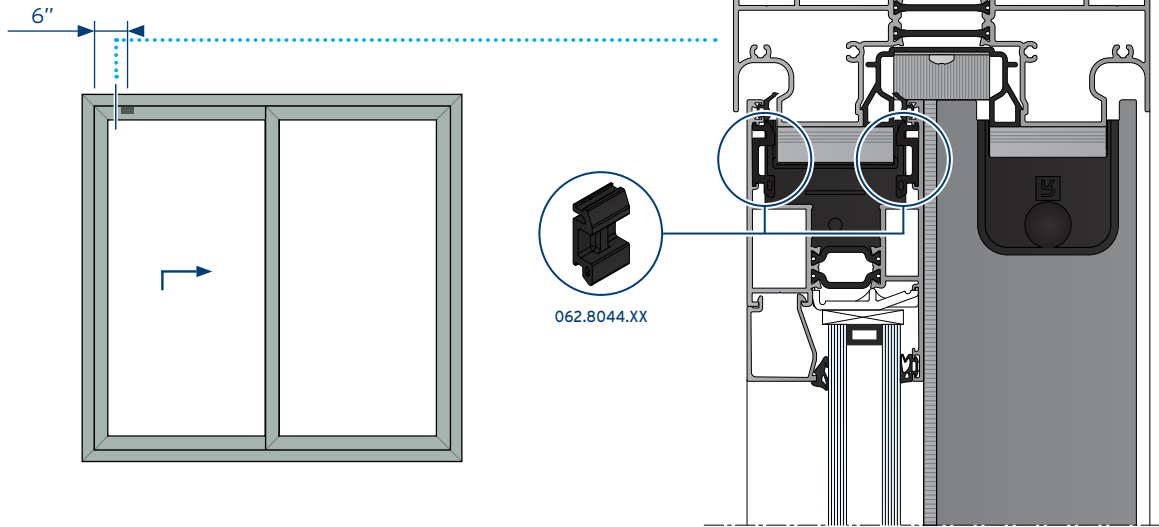




2.3. FITTING DISTANCE PIECES

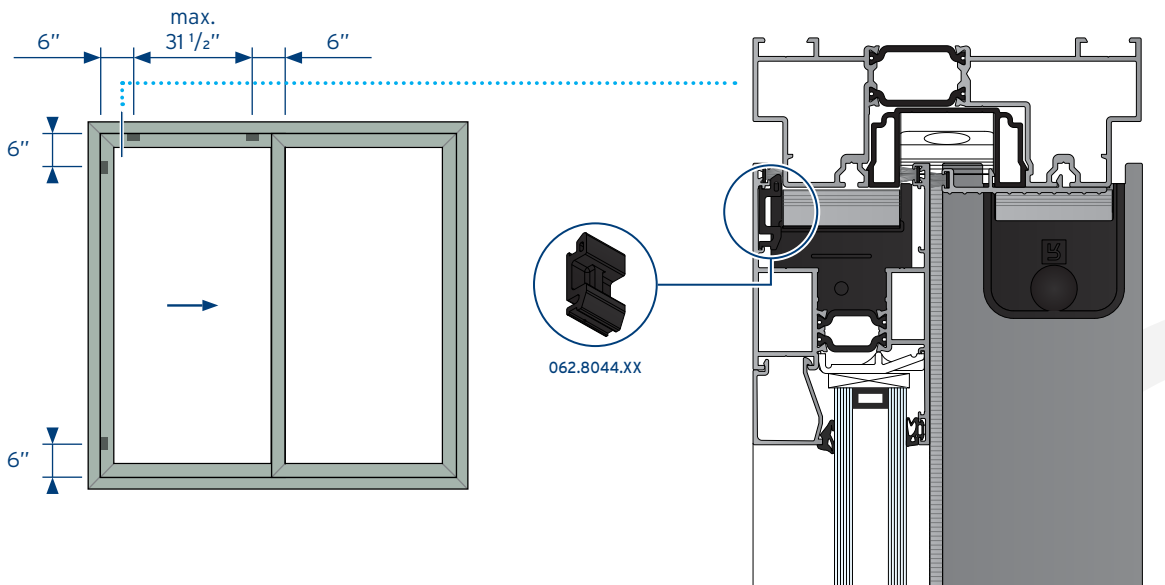
LIFT AND SLIDE DOORS

The distance pieces need to be placed on one side of the moving vent (on both the in- and outside, as shown in the picture below), about 6" from the edge.

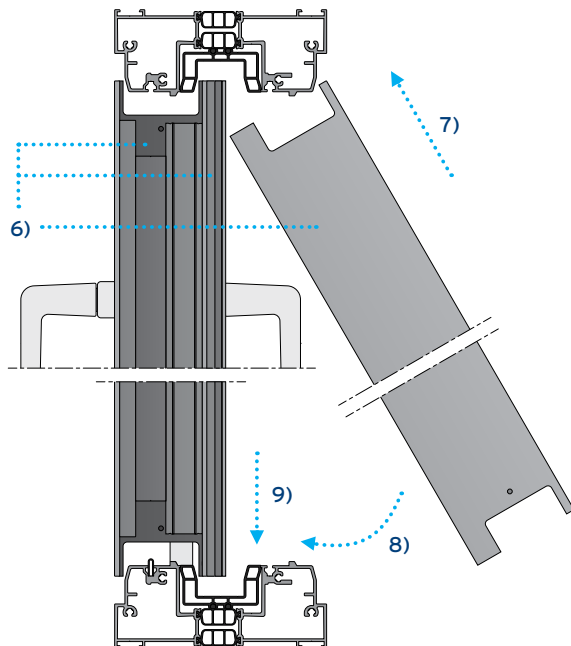
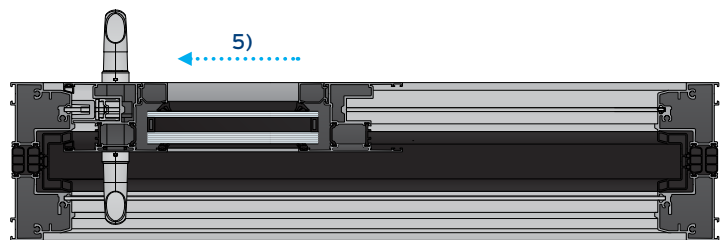
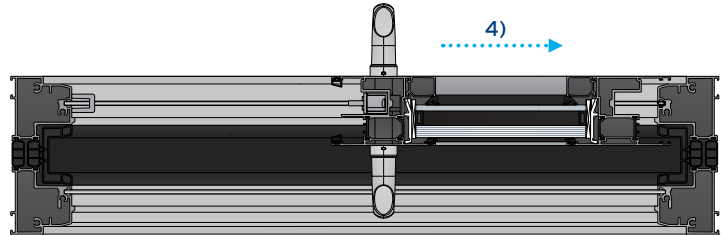
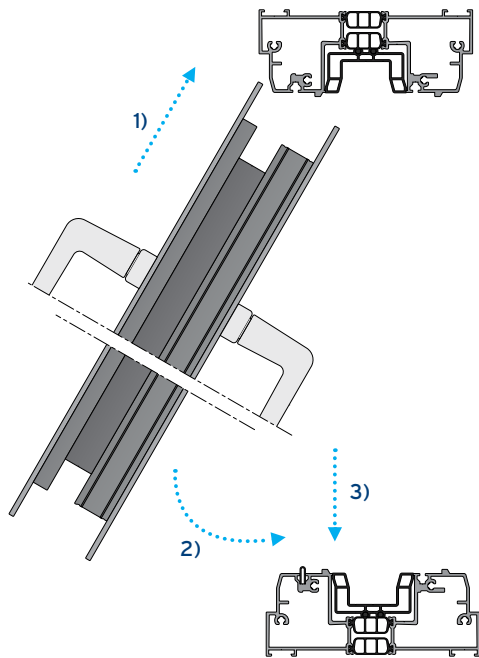


SLIDE DOORS

The distance pieces need to be placed on both sides of vents (only on the inside, as shown in the picture), about 6" from the edges. The pieces may not be placed further away from each other than 31 1/2". Two pieces also need to be placed vertically, 6" from the edges.



2.4. FITTING THE PANELS



1-3) Fitting the panel: Fit the sliding panel between the outer frame on the inside rail at an angle. The sliding panel is **not** equipped with the supporting profiles 006.1341.04, 006.1342.XX and 006.1343.00.

4) Preparing: Push the sliding panel to the right. Fix the burglar protection 062.8424.XX on the outer frame by means of screw 052.5318.-- (3x).

5) Preparing: Push the sliding panel to the left and continue to fix the burglar protection 062.8424.XX by means of screw 052.5318.-- (1x).

6) Equip support profiles: Equip the sliding panel with the supporting profiles 006.1341.04, 006.1342.XX and 006.1343.00.

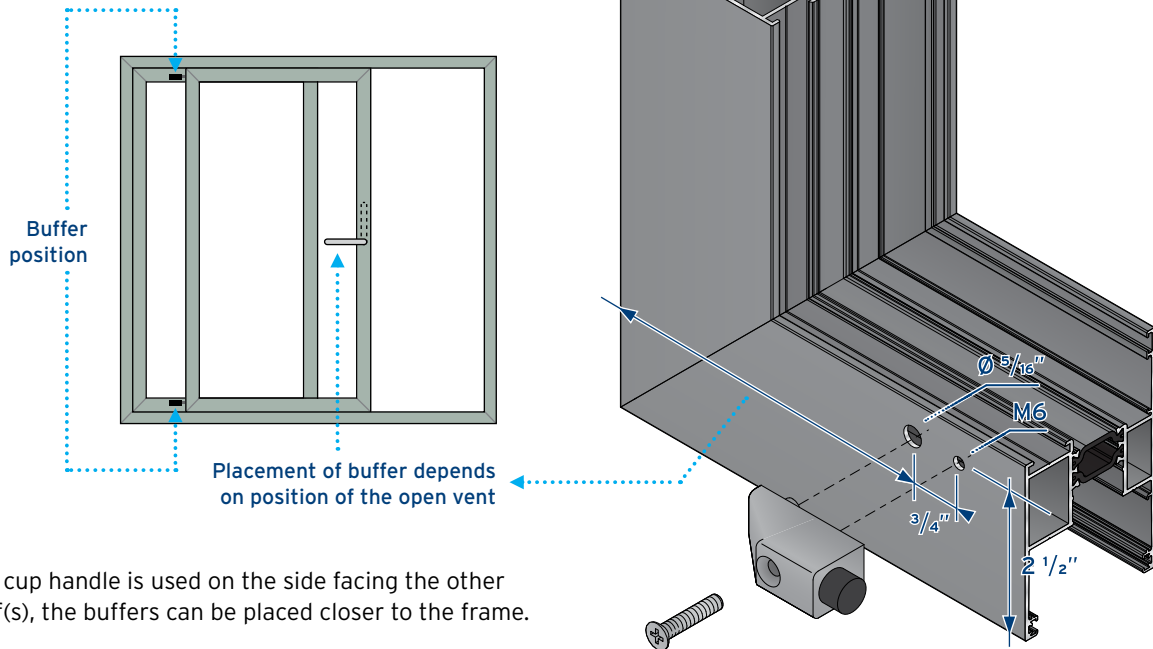
7-9) Fitting the fixed panel: Fit the fixed panel between the outer frame.

▲ The picture shows a CP 155 sliding door being fitted, but the general idea is the same for CP 130.

2.5. FITTING THE BUFFERS

To keep the door from getting damaged or damaging other parts of the door, a pair of buffers should be placed on the door – one top and one bottom.

Placement of these buffers depends on how far the door can be opened. Depending on the handle, the buffer can be placed at different distances.

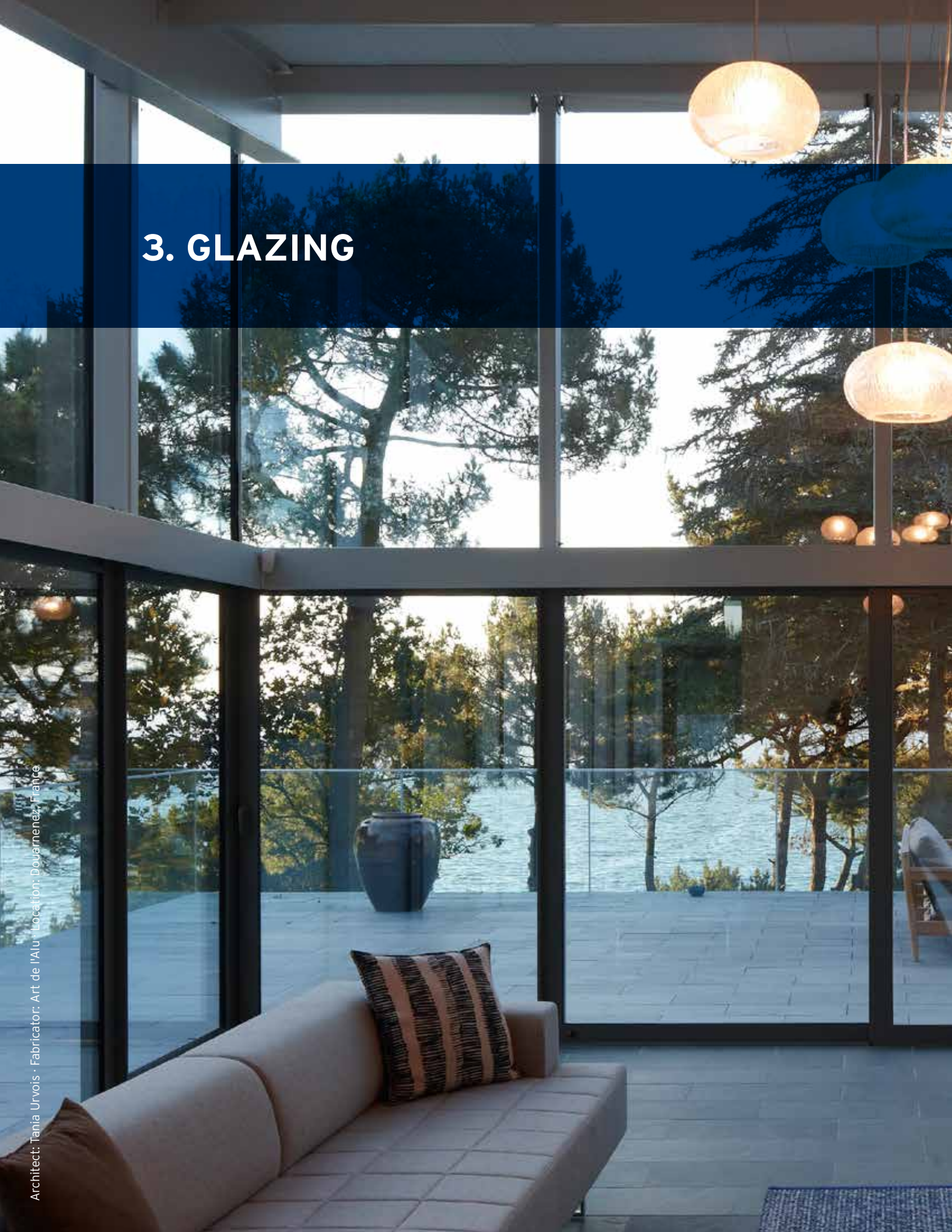


If a cup handle is used on the side facing the other leaf(s), the buffers can be placed closer to the frame.

NOTE: The buffer should always be placed on the interior side of the door.



3. GLAZING



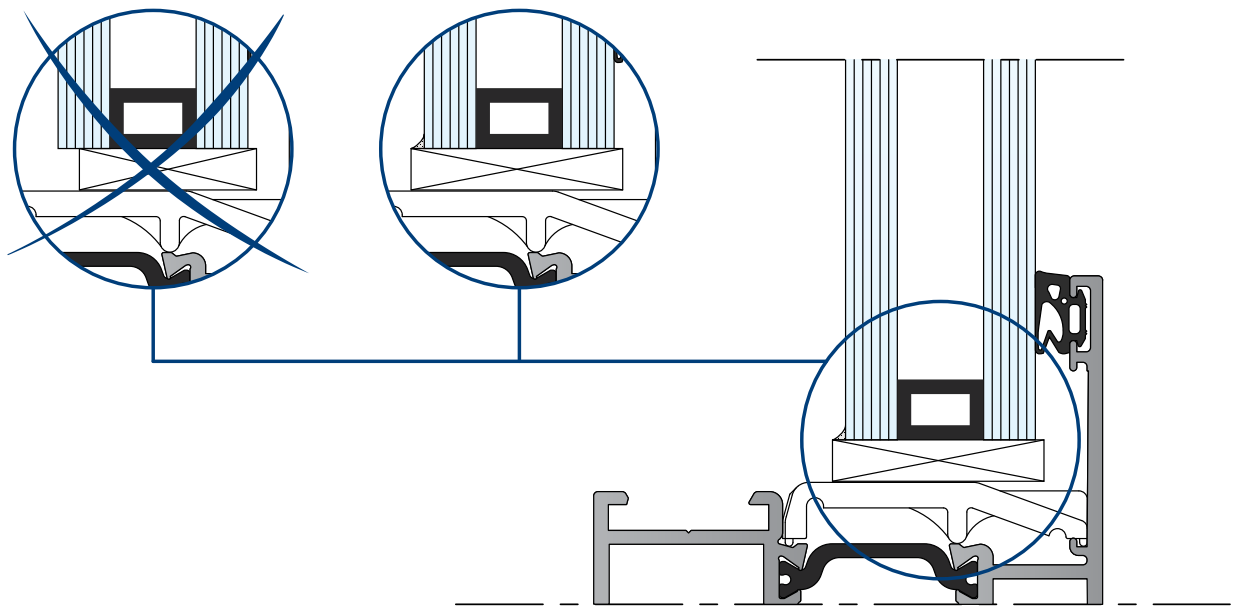
3.1. BEFORE FITTING THE GLASS PANELS

Reynaers' systems are designed for EPDM gasket or neutral silicone glazing. In case of silicone glazing a backing rod should be applied to create a correct opening between the glass panel and the aluminum frame. For easy and reliable fitting, durability and reglazing simplicity, we recommend using only Reynaers' gaskets - specially adapted for our profiles.

The following precautions should be taken when fitting the glazing:

- Cut the glazing gaskets $\frac{1}{4}$ " per foot longer than is necessary to avoid openings in the corners at a later stage.
- Drainage holes should be drilled to avoid build-up moisture. This is also necessary in the case of silicone glazing (see drainage drawings).
- Glass panels should be at least $\frac{1}{2}$ " ($\frac{1}{4}$ " per side) smaller than the actual measured glazing size.

The glass supports on the bottom of the glass panel should be sealed (see drawing below).

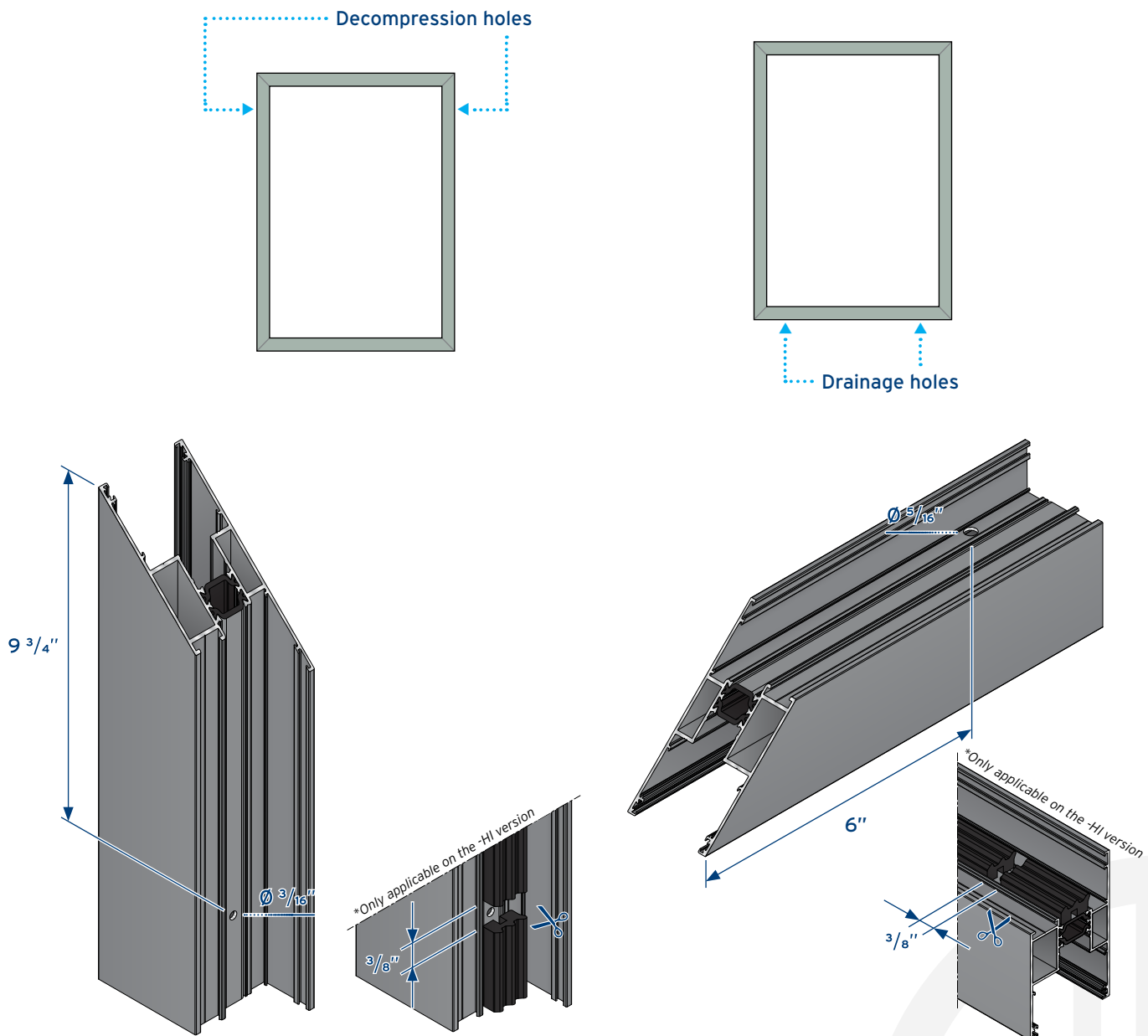


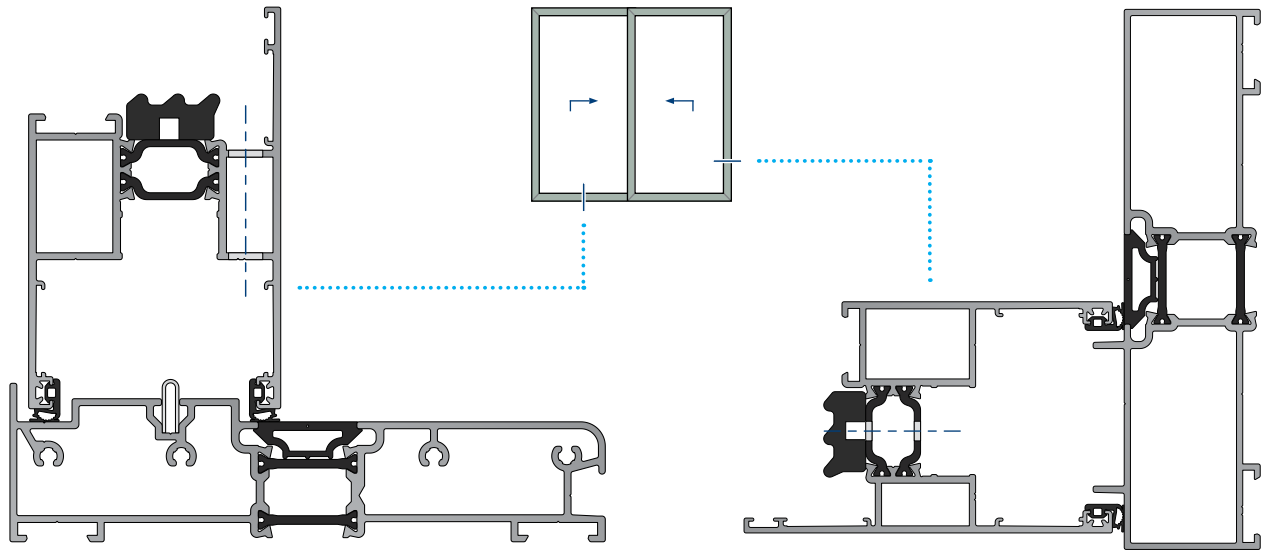
NOTE: Art. 069.8703.01 (white setting block) on jambs and head approximately 4" from each corner. Art. 062.7990.04 is already fitted on the bottom of the leaf.

DECOMPRESSION & DRAINAGE

It is important to keep decompression and drainage holes free of any blockage. Decompression holes are located on the sides – drainage holes in the bottom profile. When applying gaskets and foam, please advise that these need to be cut and fitted to prevent blockage.

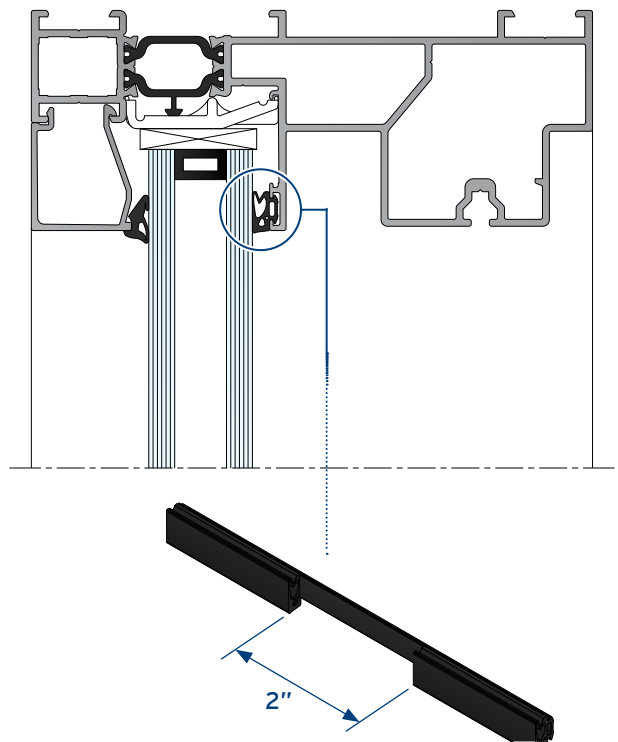
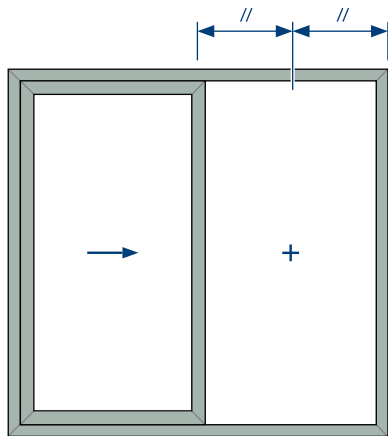
For Reynaers HI-variants (High Insulation), a foam tape is applied between the profile and glass (see picture below). What is important is that this foam strip only runs between setting blocks and not over them. Also it is important that the foam strip does not block decompression holes nor drainage (see illustration below).





MONORAIL DOORS

For monorail doors, it is important that the top outer gasket is prepared with a 2" space, see the drawing to the right.

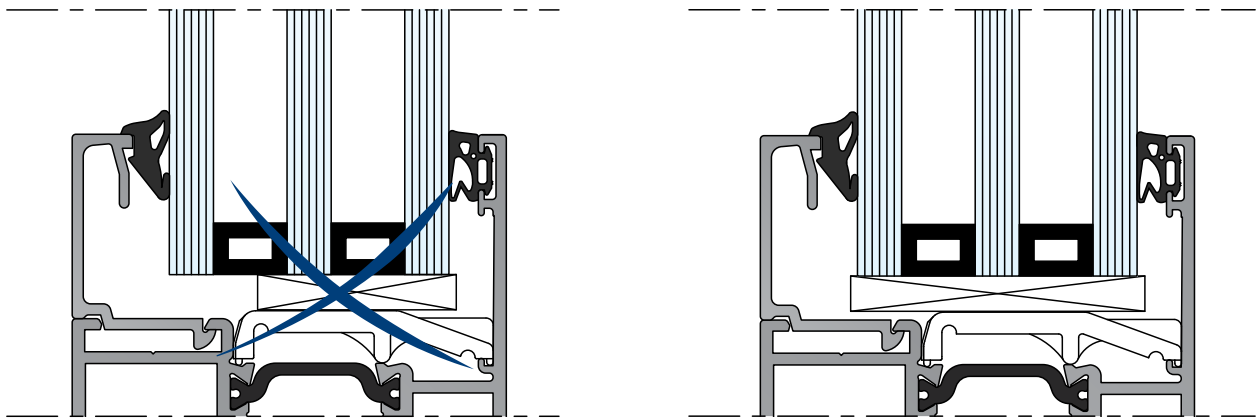


3.2 FITTING GLASS PANELS

Glass panels should not come into contact with the aluminum frame; always use glazing blocks and gaskets. Wedging prevents this contact and also ensures correct positioning of the glass in the frame, distributing the weight equally onto the rollers to avoid deformation.

In order to simplify fixing of the glazing we dispose of glass supports that can be used to level the bottom of the rebate. In this case it will be possible to apply rectangular glazing blocks.

For double and triple glazing there should be paid extra attention that the glass is supported over the whole panel thickness at all times and that the support blocks are strong enough to carry the whole glass panel weight.



There are two types of glazing blocks:

SUPPORT BLOCKS

These blocks distribute the weight of the glass onto the sliding, Panel or the outer frame. Correct positioning is very important for the sliding panel to function correctly.

ADJUSTING BLOCKS

These blocks guarantee the correct positioning of the glass between the rebates. They must be positioned without twisting or damaging the profile. Adjusting blocks also prevent the glass panels from moving.

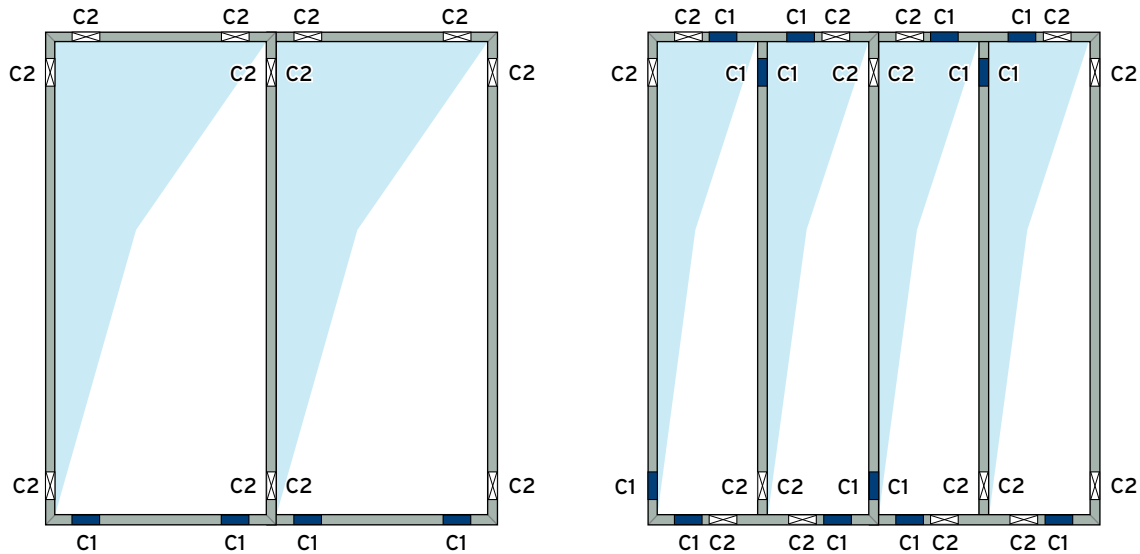
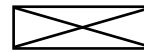


The following sketches indicate the different glazing blocks in different types of sliding elements:

Support block (C1):



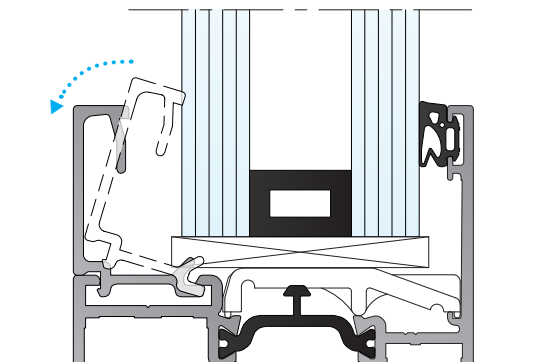
Adjusting block (C2):



The glass weight of sliding panels should be distributed equally onto the rollers. The support blocks (C1) should consequently be fitted below at the height of the rollers. The glass weight of fixed panels should be distributed onto the support piece of the fixed panel. The support blocks should consequently be fitted at the height of the support piece.

In fixed glazing monorail, supports are fitted in the corners of the bottom profile to avoid bending due to the weight of the glass (see sketch monorail). For ease of fitting, we have special glass supports which can be used to equalize the rebate. The rectangular glazing blocks can be placed on these.

After the glass has been correctly fitted, the glazing bead is twisted into position (see illustration below). The gasket is then applied (for correct gasket, see glazing table on p. 26).



◀ the glazing bead is twisted into position.

4. ADDITIONAL INFORMATION

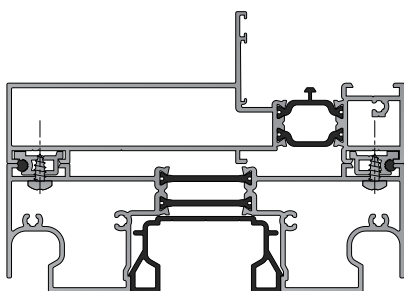


4.1. CONNECTION WITH OTHER SYSTEMS

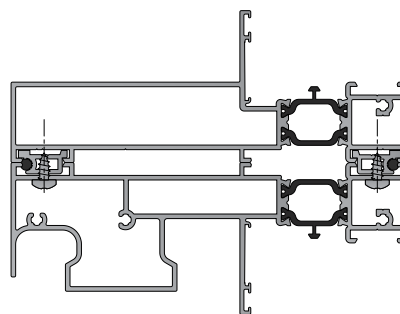
All Reynaers systems (with exception for the unique Hi-Finity) can work together, either directly connected or through a connection profile.

On the following pages are shown examples of how CP 130 can be integrated with various window systems (CS 68, CS 77 and CS 86-HI). The overlying theory behind connecting these profiles can be applied to almost all systems.

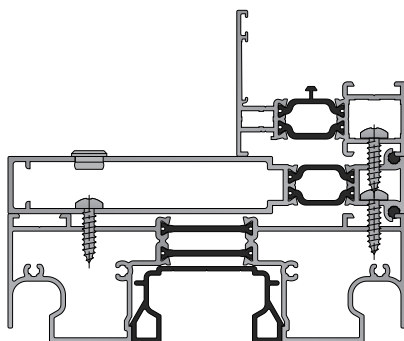
CP 130 DUORAIL + CS 68



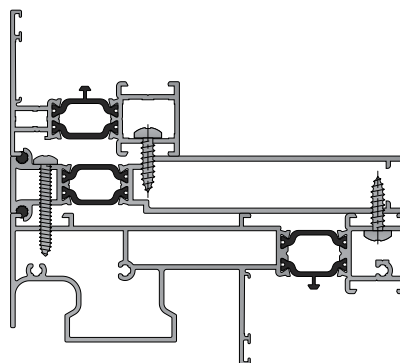
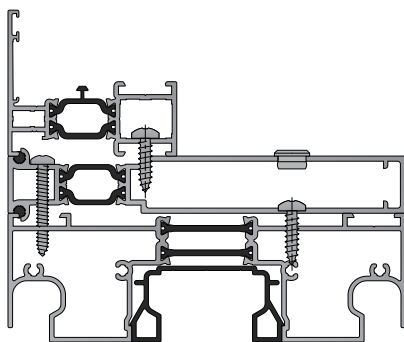
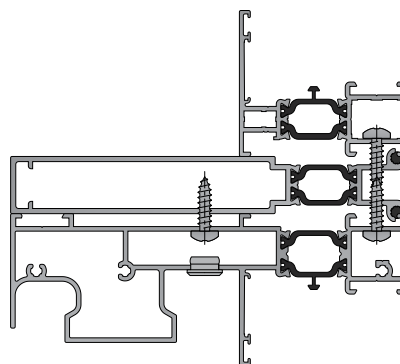
CP 130 MONORAIL + CS 68



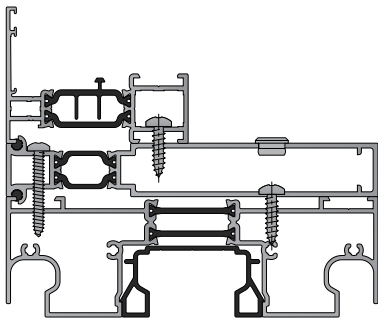
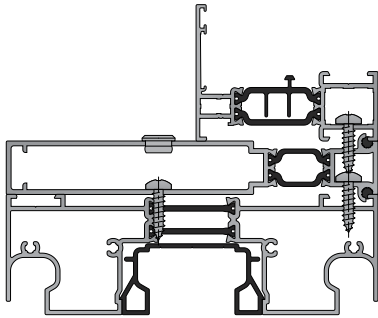
**CP 130 DUORAIL + CS 68
(WITH CONNECTION PROFILE)**



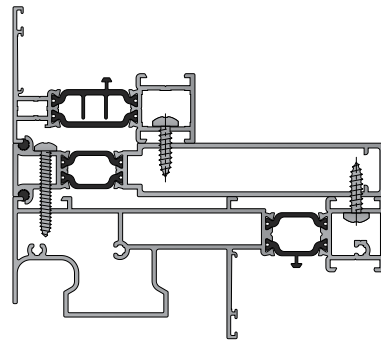
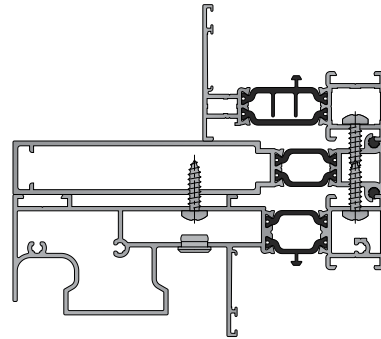
**CP 130 MONORAIL + CS 68
(WITH CONNECTION PROFILE)**



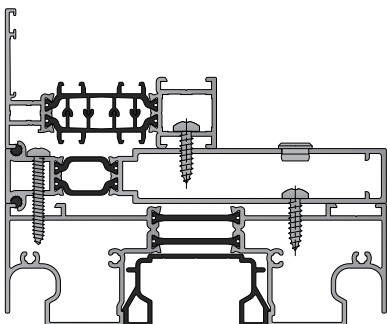
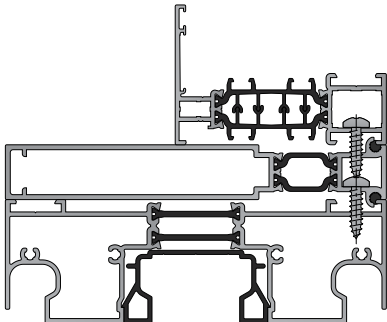
CP 130 DUORAIL + CS 77
(WITH CONNECTION PROFILE)



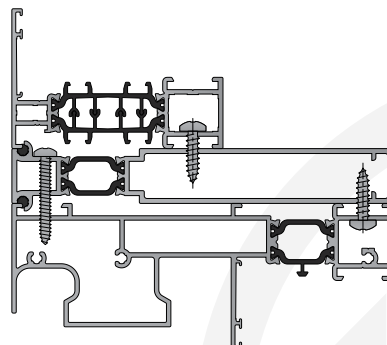
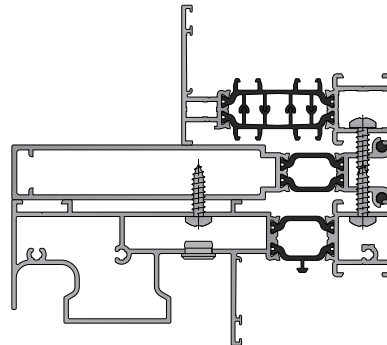
CP 130 MONORAIL + CS 77
(WITH CONNECTION PROFILE)



CP 130 DUORAIL + CS 86-HI
(WITH CONNECTION PROFILE)



CP 130 MONORAIL + CS 86-HI
(WITH CONNECTION PROFILE)



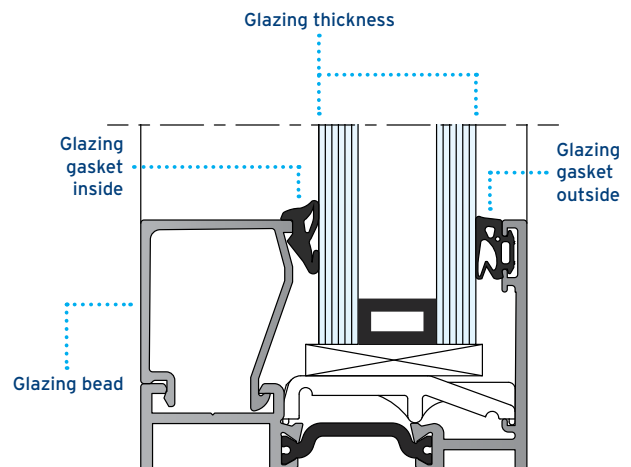


4.2. GLAZING TABLE

In the table below you will be able to look up what glazing bead as well as which inner and outer gasket to use at different glazing thicknesses.

Glazing bead	Glazing gasket inside	Glazing thickness	Glazing gasket outside
030.3617.XX	080.9126.SY	4 mm	080.9114.SY
	080.9125.SY	5 mm	
030.3616.XX	080.9124.SY	6 mm	
	080.9126.SY	7 mm	
	080.9125.SY	8 mm	
030.3615.XX	080.9124.SY	9 mm	
	080.9126.SY	10 mm	
	080.9125.SY	11 mm	
030.3614.XX	080.9124.SY	12 mm	
	080.9126.SY	13 mm	
030.3613.XX	080.9125.SY	14 mm	
	080.9124.SY	15 mm	
030.3612.XX	080.9126.SY	16 mm	
	080.9125.SY	17 mm	
030.3611.XX	080.9124.SY	18 mm	
	080.9126.SY	19 mm	
030.3610.XX	080.9125.SY	20 mm	
	080.9124.SY	21 mm	
030.3609.XX	080.9126.SY	22 mm	
	080.9125.SY	23 mm	
030.3608.XX	080.9124.SY	24 mm	
	080.9126.SY	25 mm	
030.3607.XX	080.9125.SY	26 mm	
	080.9124.SY	27 mm	
030.3606.XX	080.9126.SY	28 mm	
	080.9125.SY	29 mm	
030.3600.XX	080.9124.SY	30 mm	
	080.9126.SY	31 mm	
030.3600.XX	080.9125.SY	32 mm	
	080.9124.SY	33 mm	
030.3600.XX	080.9126.SY	34 mm	
	080.9125.SY	35 mm	
030.3600.XX	080.9124.SY	36 mm	
	080.9126.SY	37 mm	
030.3600.XX	080.9125.SY	38 mm	
	080.9124.SY	39 mm	
030.3600.XX	080.9128.SY	40 mm	
	080.9126.SY	41 mm	
030.3600.XX	080.9125.SY	42 mm	
	080.9124.SY	43 mm	

“Which goes with what?”







NEED VISUAL GUIDANCE?

Reynaers has its own dedicated YouTube channel where you can watch several interesting videos, including product and training videos. Either scan the QR code in the top left of the page or follow the link below:

 www.youtube.com/ReynaersAluminium



TOGETHER FOR BETTER

