



Measuring Guide

To measure accurately for your new door follow these simple step by step guidelines.

This is only a guide to help an experienced tradesperson or competent DIYer carry out a survey. We do not accept any liability for inaccurate surveys.

Do's & Don'ts

Follow these simple do's and don'ts to ensure that you get the most out of your new door

Do's

- Do make sure you have a **metric** tape measure
- Do make sure you write each measurement down in-between taking new measurements
- Do ensure you allow sufficient clearance in the height, width and bottom clearance for the door to open fully
- Do make sure you check which side you want the handle. You must do this as you look at the door from the **outside**
- Do make sure that the door is smaller than the opening

Don'ts

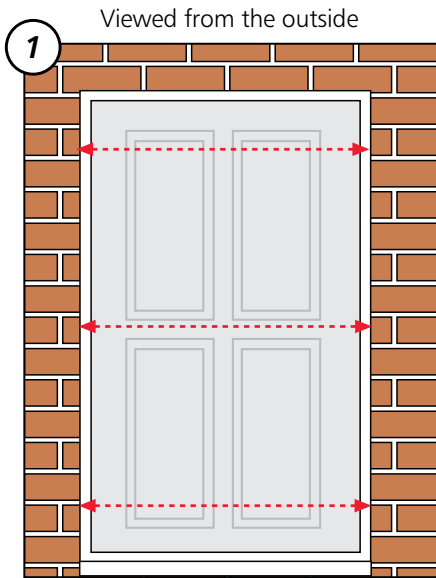
- Don't use an old tape measure where it is difficult to read the measurements
- Don't use a linen or paper tape measure like a dressmakers tape

Customer Helpline

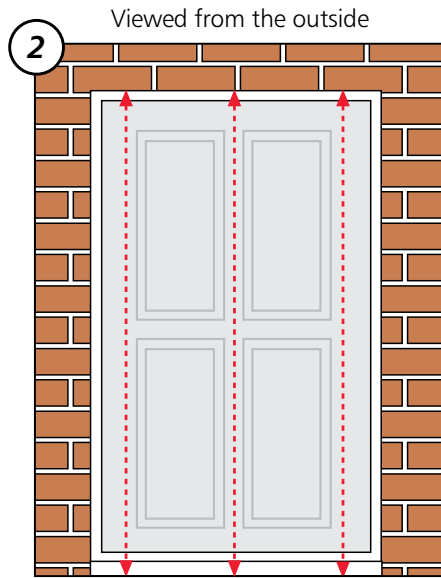
01642 309 576

How to measure for a new composite door

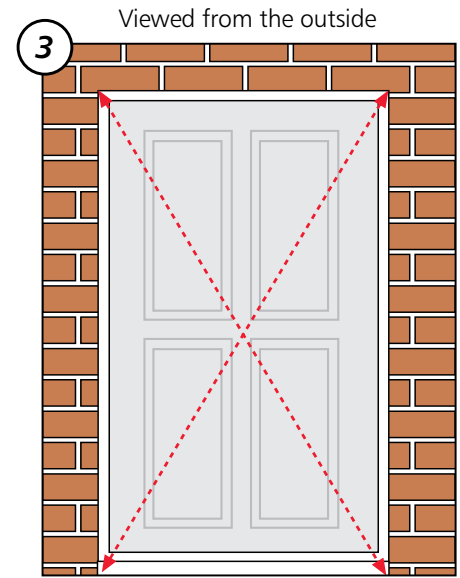
You are measuring the overall width and height of the door including the door, the frame and cill.



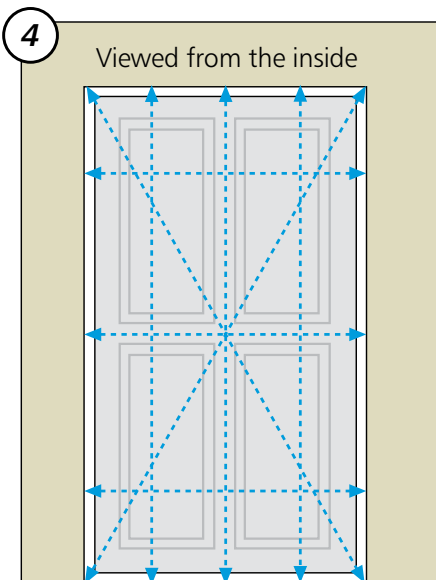
Width: Measure in 3 points; top, middle and bottom and take the smallest measurement and deduct 10mm.



Height: Measure again in 3 points; left, centre and right and take the smallest measurement and deduct 10mm. Measure to the underside of the existing cill unless it is NOT going to be replaced. i.e. concrete cill.

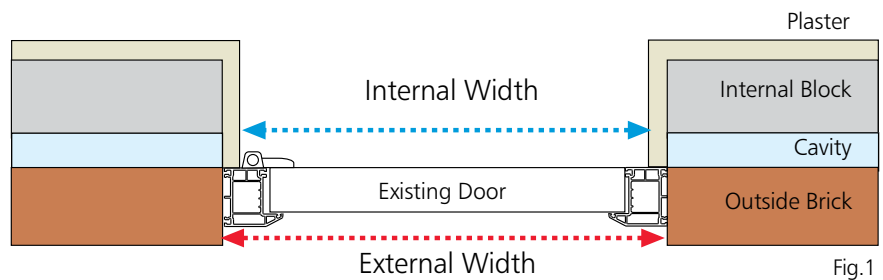


Diagonals: Ensure the opening is square by measuring the diagonals as shown in red. There should be no more than 5mm difference between each measurement.



Repeat the process from the inside of the door from plasterwork to plasterwork make a note of the smallest measurements as before.

MOST COMMON PLAN VIEW



This diagram shows how the existing door butts up to the internal plasterline

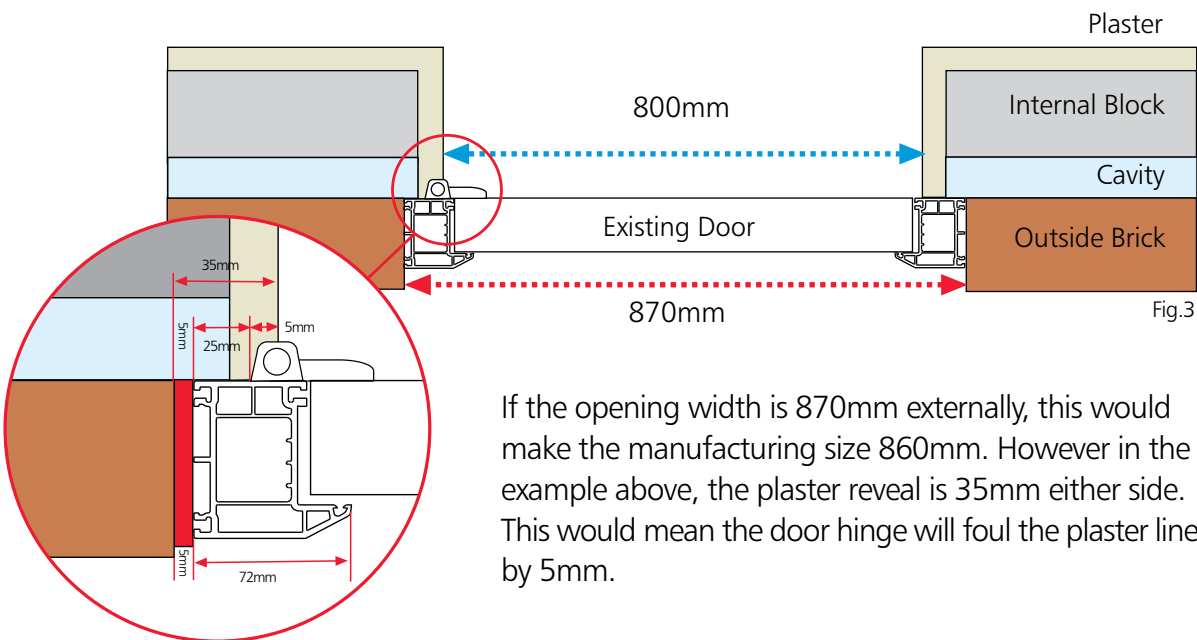
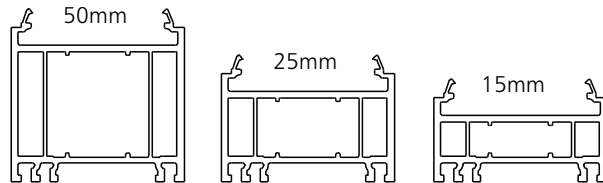
Addon Example



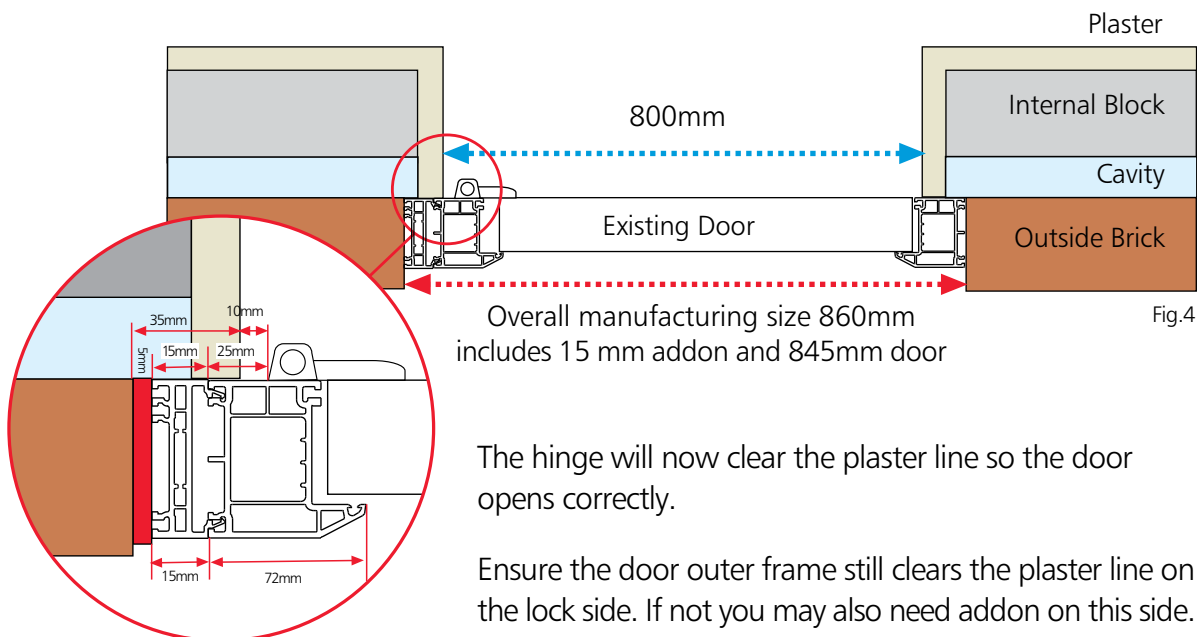
Opening internal 800mm and external 870mm
(external opening smallest measurement 870mm)

If the internal plaster reveal is large, it will be necessary to use the appropriate frame addon

Addons available in various sizes



If the opening width is 870mm externally, this would make the manufacturing size 860mm. However in the example above, the plaster reveal is 35mm either side. This would mean the door hinge will foul the plaster line by 5mm.



Overall manufacturing size 860mm includes 15 mm addon and 845mm door

The hinge will now clear the plaster line so the door opens correctly.

Ensure the door outer frame still clears the plaster line on the lock side. If not you may also need addon on this side.

BOX SASH PLAN VIEW

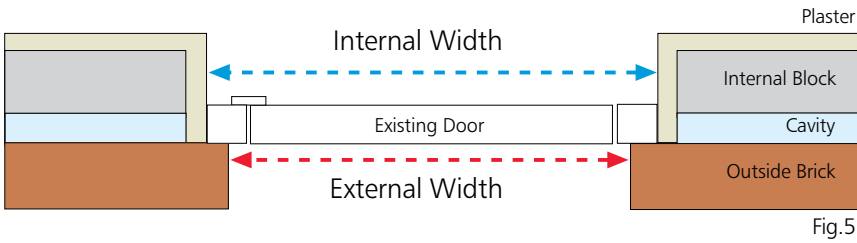


Fig.5

However, you may have a box sash scenario when the reverse of the plan view is shown in fig.5. You will need to measure brick to brick externally then add 5-10mm each side (to the smallest size), so the outer frame sits nicely behind the existing brickwork.

HOW ADDON IS USED TO CLEAR PLASTERLINE

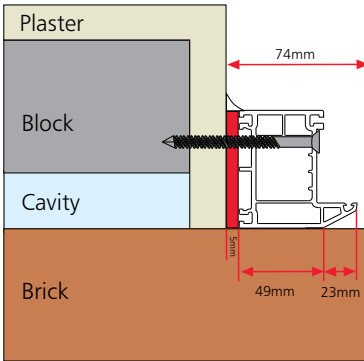


Fig.6

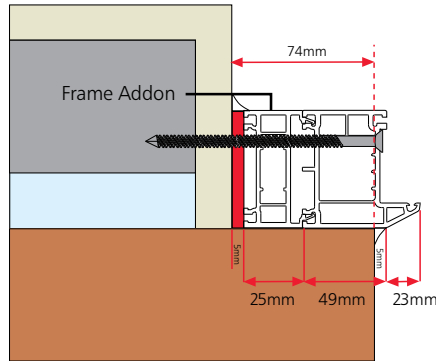


Fig.7

With a box sash installation the frame can be fixed with a frame addon to make up the gap. Addons available in 15, 25 & 50mm

(It will be necessary to remove existing architrave to survey accurately.)

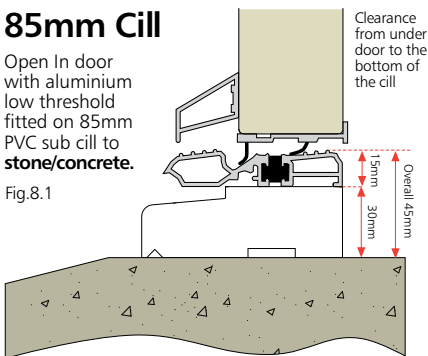
CILLS OPTIONS

When entering sizes for manufacture they included the cill which is 30mm high if required.

85mm Cill

Open In door with aluminium low threshold fitted on 85mm PVC sub cill to **stone/concrete**.

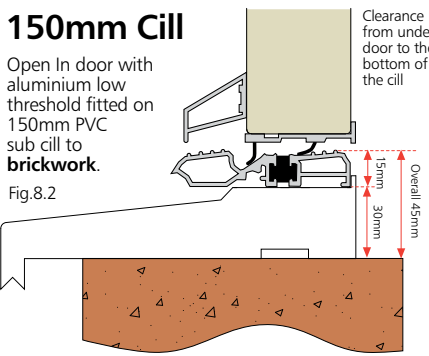
Fig.8.1



150mm Cill

Open In door with aluminium low threshold fitted on 150mm PVC sub cill to **brickwork**.

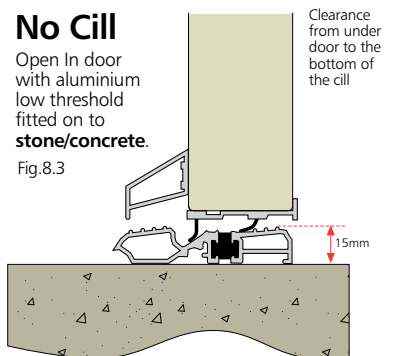
Fig.8.2



No Cill

Open In door with aluminium low threshold fitted on to **stone/concrete**.

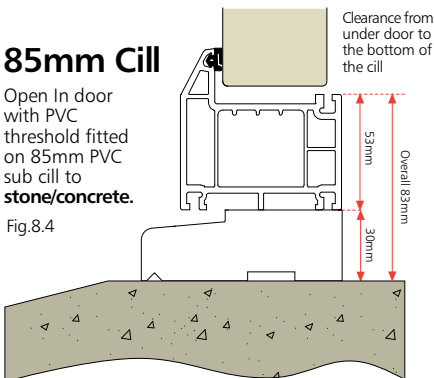
Fig.8.3



85mm Cill

Open In door with PVC threshold fitted on 85mm PVC sub cill to **stone/concrete**.

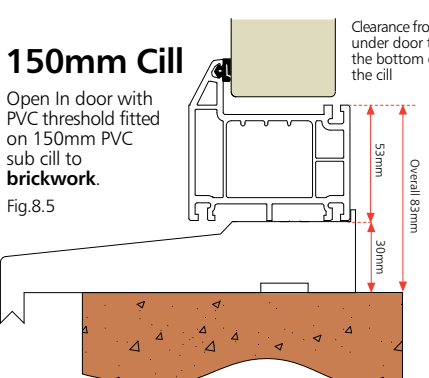
Fig.8.4



150mm Cill

Open In door with PVC threshold fitted on 150mm PVC sub cill to **brickwork**.

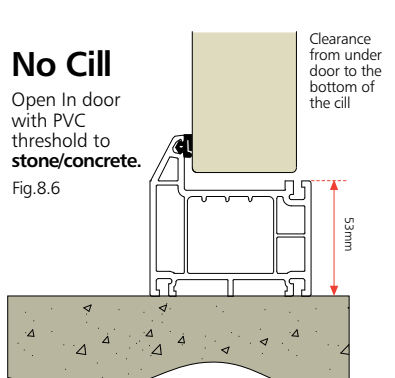
Fig.8.5



No Cill

Open In door with PVC threshold to **stone/concrete**.

Fig.8.6



DON'T FORGET Our door measuring guide video is available to view online at:

www.gfdhomes.co.uk

Customer Helpline

01642 309 576

 **gfdhomes**
the home improvement group